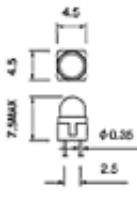
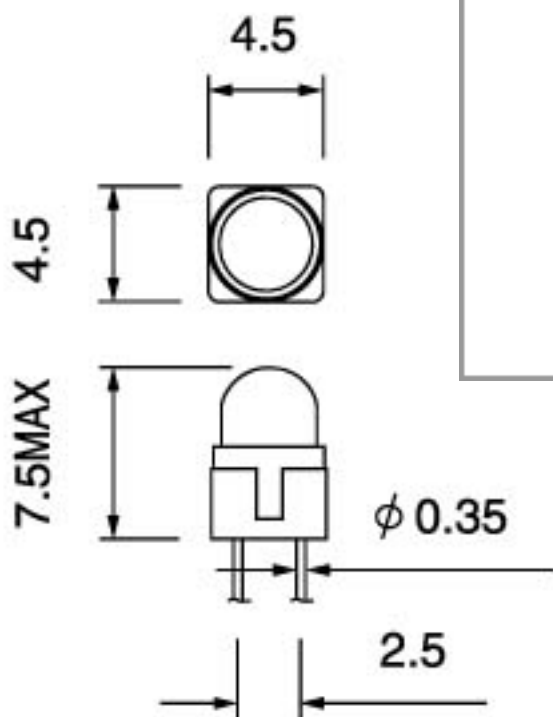


BASE NO. : HPS-30C  
 LEAD THROUGH MOUNT LAMP

	DESIGN		LUMINOUS FLUX		AVG LIFETIME		FILAMENT SHAPE	TOSHIBA LAMP NO.	REFERENCE	TAPING FIG. NO.
	VOLTAGE	CURRENT	M.S.C.P.	lm	AC	DC				
	V	mA			hrs.	hrs.				
	5.0	75	0.09	1.1	20,000	15,000	C-2R			1
	5.0	115	0.15	1.9	20,000	15,000	C-2R			1
	6.0	80	0.16	2.0	10,000	6,000	C-2R			1
	8.0	60	0.13	1.6	10,000	6,000	C-2V			1
	9.0	85	0.23	2.9	10,000	6,000	C-2V			1



TAPING FIG. 1

