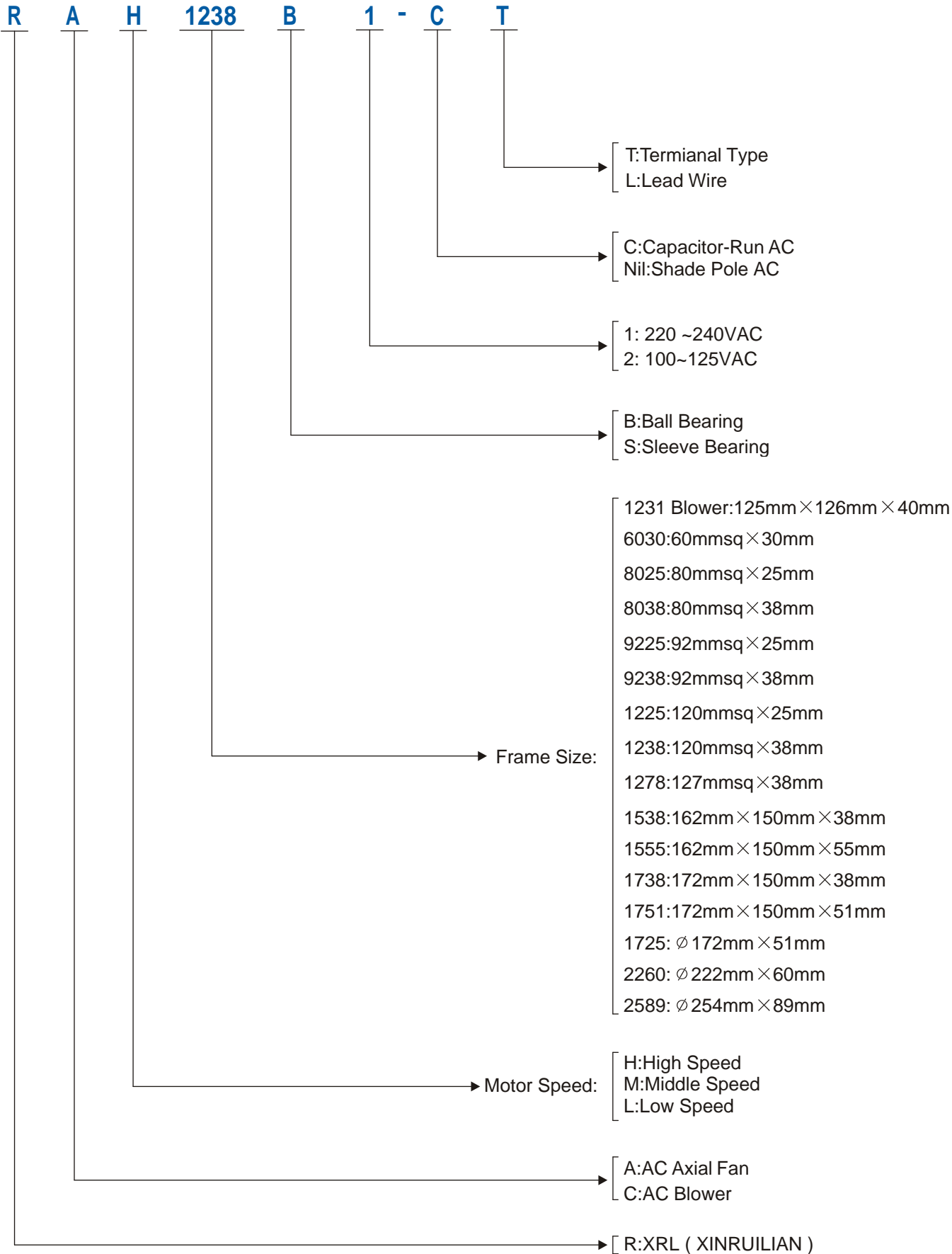


Contents

Model Number	Frame Size	Page
1231 Blower	125mmx126mmx40mm	1
6030 Series	60mmsq×30mm	2
8025 Series	80mmsq×25mm	3~4
8038 Series	80mmsq×38mm	5~6
9225 Series	92mmsq×25mm	7~8
9238 Series	92mmsq×38mm	9~10
1225 Series	120mmsq×25mm	11~12
1238 Series	120mmsq×38mm	13~22
1278 Series	127mmsq×38mm	23~25
1538 Series	162mm×150mm×38mm	26
1738 Series	172mm×150mm×38mm	27
1555 Series	162mm×150mm×55mm	28~29
1751 Series	172mm×150mm×51mm	30~31
1725 Series	∅ 172mm×51mm	32~33
2260 Series	∅ 222mm×60mm	34
2589 Series	∅ 254mm×89mm	35
Filter Kits		36~39
Aluminum Filters		40
Metal Finger Guard		41
Plastic Finger Guard		42

Part Numbering System



AC Standard

Operation Voltage : $\pm 10\%$ of rated voltage

Storage Temperature : $-40^{\circ}\text{C} - +80^{\circ}\text{C}$ @65% Relative humidity

Insulation Resistance : 100 Mohm Min. @DC 500V

Dielectric Strength : AC 1500V for 3 sec.($<0.5\text{mA}$ allowable,between lead and frame)

Noise : Measured at rated voltage at 1 meter distance in an Anechoic, with a background noise 16dBA Max

Vibration : JIS C0040 Amplitude 1.5mm,frequency 10-55Hz, 1hr per axis:X,Z,Y

Shock : JIS C0041 Acceleration 100G, duration 6ms per axis:X,Z,Y

Life : Life expectancy is 50,000 hours for ball bearing or 30,000 hours for sleeve bearing @ $25^{\circ}\text{C} \pm 25^{\circ}\text{C}$, 65% $\pm 20\%$ relative humidity continuous operation

Safety : Designed to meet UL, CUL, TUV and CE certification

Insulation : Class B

AC Fan Technical Information

Xinruilian Electronic AC Fan is featured with DC Tachometer signal output so that the input AC voltage、frequency and phase can be regulated for different RPM requirements. As in Fig1 and Fig2, the ration of T1/T2 can be changed according to the customer's requirement. Now this function is available for fans size of 120 × 120 × 25 and 120 × 120 × 38. For other fan size is also available upon customer's request.

Figure 1

Tachometer Signal Diagram

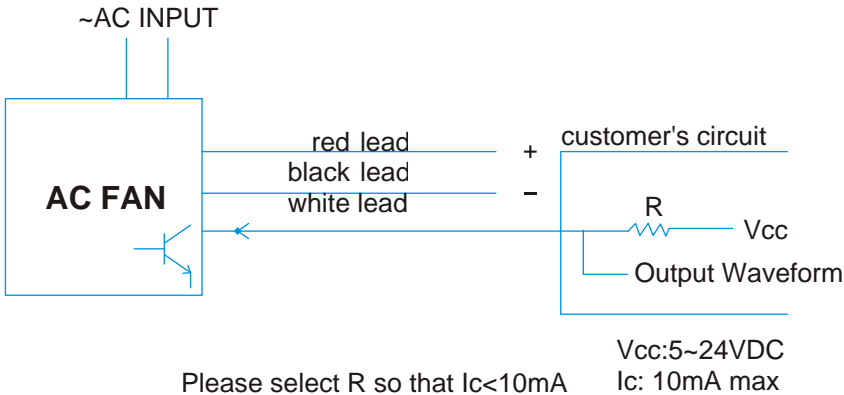
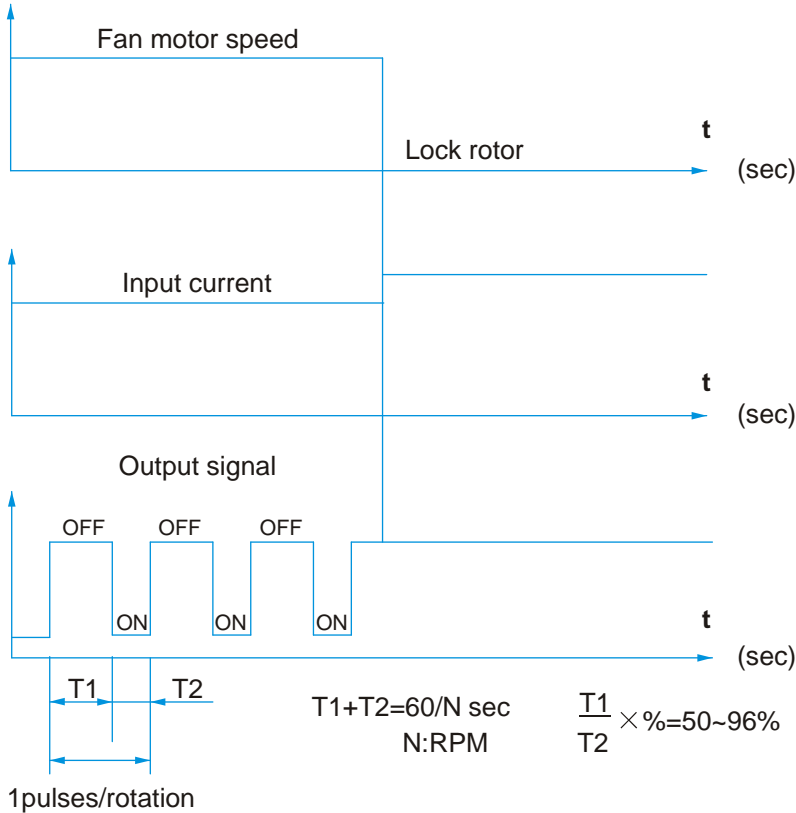
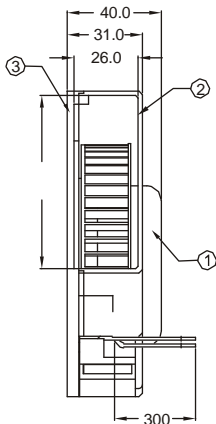
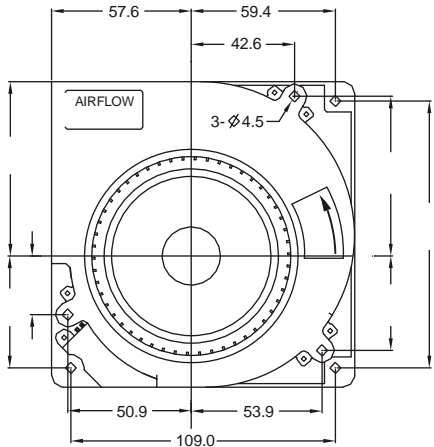
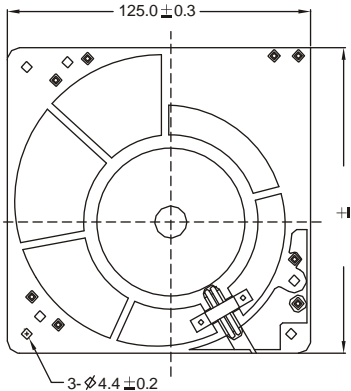


Figure 2

Locked Rotor Alarm Signal

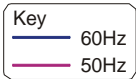
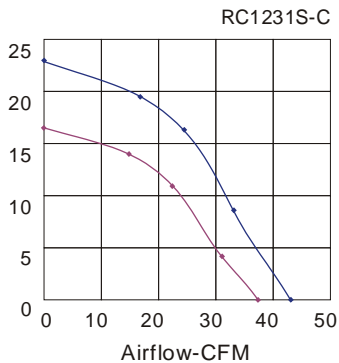
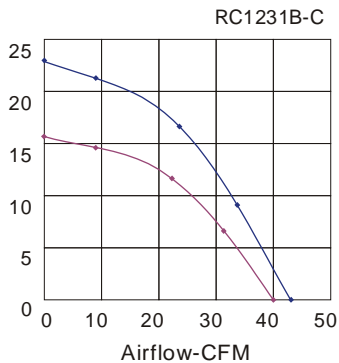


AC 1231 SERIES BLOWER

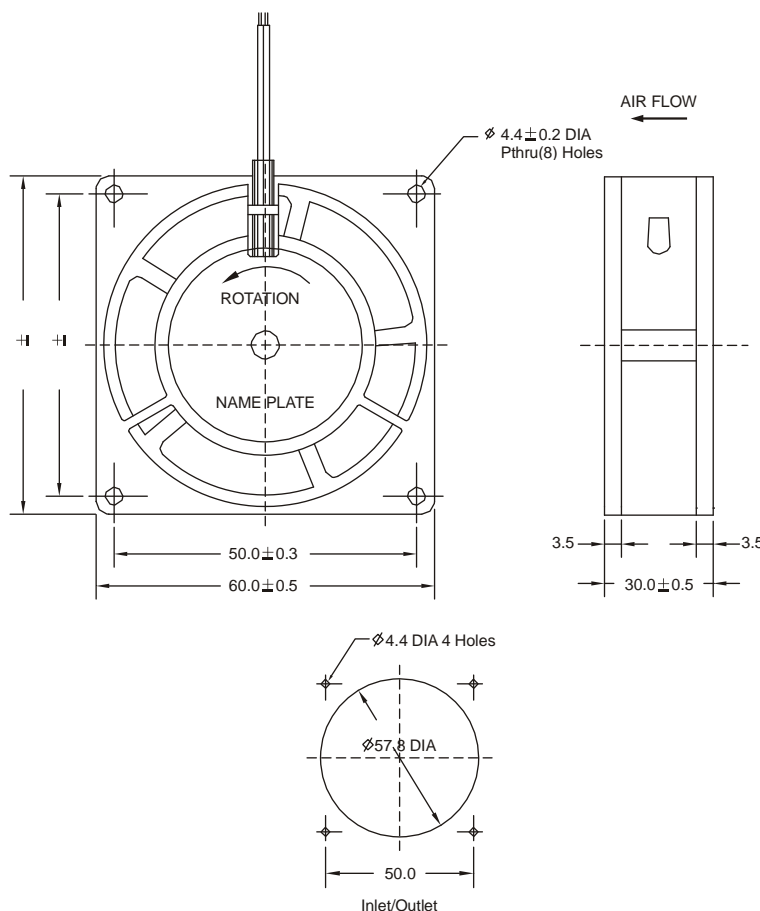


- Size: 125mmx126mmx40mm
- Airflow: 63 ~ 73m³/hr
37 ~ 43CFM
- Weight: (①PA6)620g; (②ALUMINIUM) 668g
- Noise: 54 ~ 57dBA
- Impeller: ①PA6 UL94V-0 Reinforced Plastic
- Frame: ②PA6 UL94V-0 Reinforced Plastic or Aluminum Alloy
③Aluminum Alloy
- Lead Wire: AWG#24 UL 3266
(Optional)
- Motor: Capacitor-Run Induction Motor
- Safety: UL.CUL.TUV.CE
- Operation Temperature: -10°C~+70 °C

Unit:mm



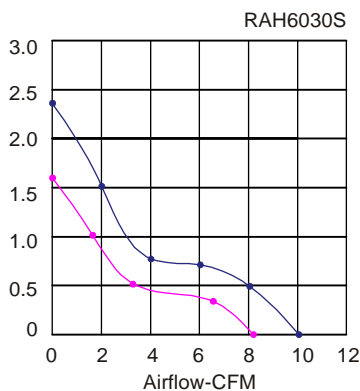
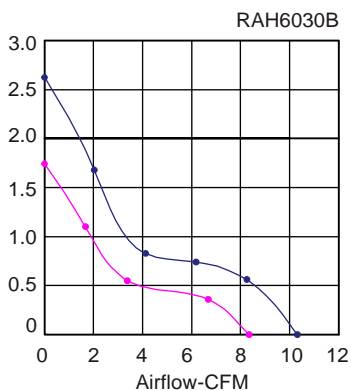
AC 6030 SERIES AXIAL FAN



Size: 60mmx60mmx30mm
 Airflow: 13.8~17.5m³/hr
 8.1~10.3CFM
 Weight: 145g
 Noise: 27~28dBA
 Impeller: PA6 UL94V-0 Reinforced Plastic
 Frame: Aluminum Alloy
 Terminals: 0.5mm
 Lead Wire: AWG#22 UL 1430
 (Optional)
 Motor: Shaded Pole Induction Motor
 Safety: UL.CUL.TUV.CE
 Operation Temperature: -10°C~+70°C

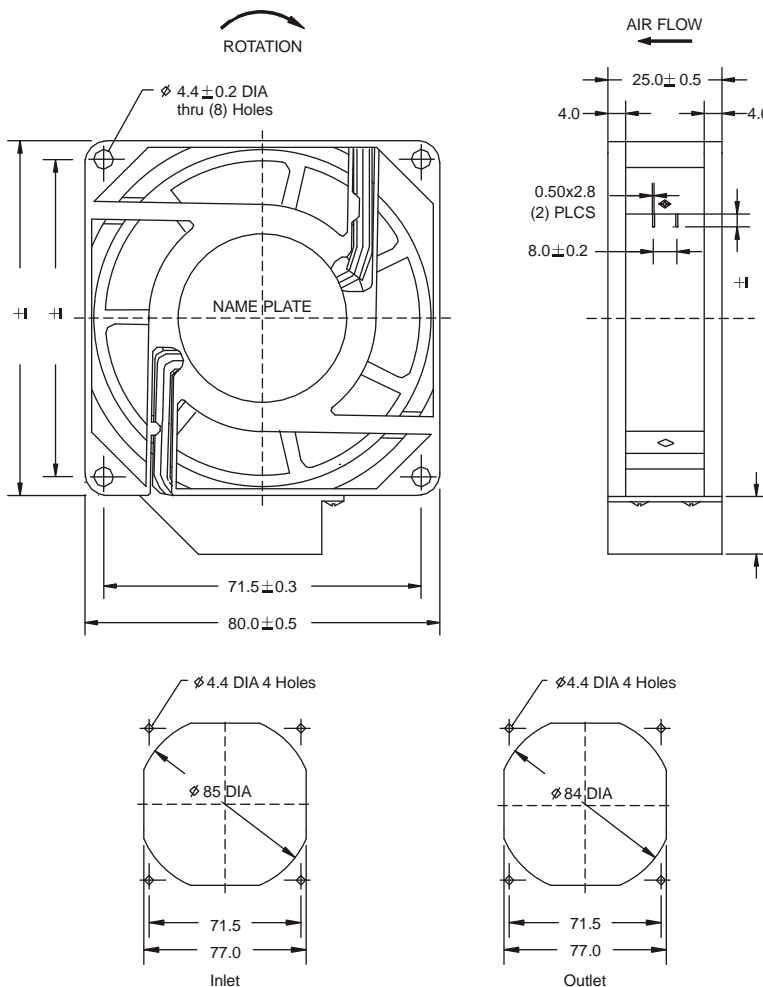
Unit:mm

Model	Bearing System	Voltage VAC	Freq. Hz	Current A	Power W	Speed RPM	Noise dBA	Air Flow		Static Pressure (mmH O)	Weight Gram
								M /hr	CFM		
RAH6030S1	Sleeve	220~240	50/60	0.022/0.020	5/4	2550/3100	27/28	13.8/17.5	8.1/10.3	1.7/2.8	145
RAM6030S2		100~125	50/60	0.035/0.042	5/4	2550/3100	27/28	13.8/17.5	8.1/10.3	1.7/2.8	
RAH6030B1	Ball	220~240	50/60	0.022/0.020	5/4	2550/3100	27/28	13.8/17.5	8.1/10.3	1.7/2.8	
RAM6030B2		100~125	50/60	0.035/0.042	5/4	2550/3100	27/28	13.8/17.5	8.1/10.3	1.7/2.8	



Key
 — 60Hz
 — 50Hz

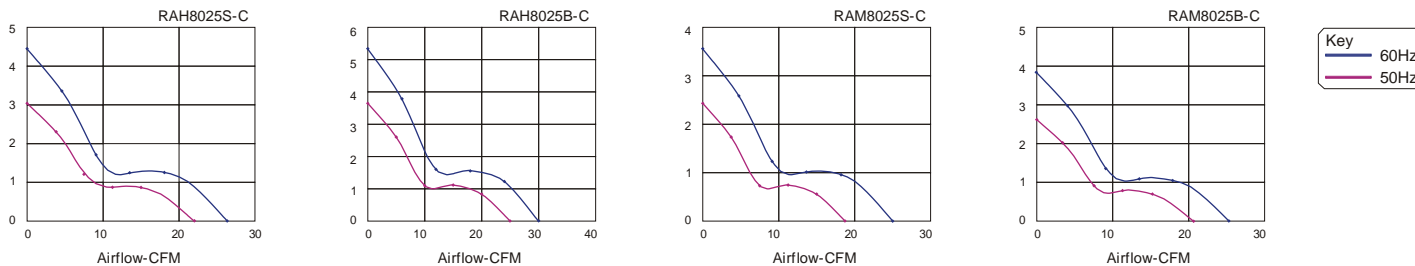
AC 8025 SERIES AXIAL FAN (High Air Flow)



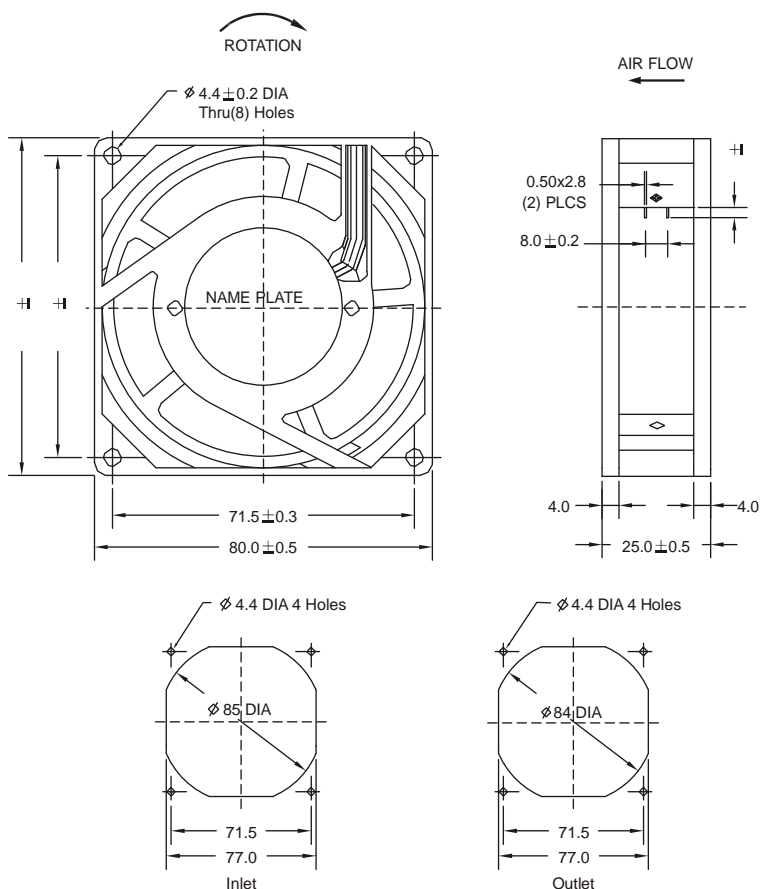
Size: 80mmx80mmx25mm
 Airflow: 31 ~ 51m³/hr
 18 ~ 30CFM
 Weight: 260g
 Noise: 21 ~ 31dBA
 Impeller: PA6 UL94V-0 Reinforced Plastic
 Frame: Aluminum Alloy
 Terminals: 0.5mm
 Lead Wire: AWG#22 UL 1007
 (Optional)
 Motor: Capacitor-Run Induction Motor
 Safety: UL.CUL.TUV.CE
 Operation Temperature: -10°C ~ +55°C

Unit:mm

Model	Bearing System	Voltage VAC	Freq. Hz	Current A	Power W	Speed RPM	Noise dBA	Air Flow		Static Pressure (mmH ₂ O)	Weight Gram
								M ³ /hr	CFM		
RAH8025S1-C	Sleeve	220~240	50/60	0.08/0.09	17/19	2500/3000	24/29	37/44	22/26	3.0/4.4	260
RAM8025S1-C		220~240	50/60	0.07/0.07	15/15	2150/2800	21/25	31/43	18/25	2.2/3.5	
RAH8025S2-C		100~125	50/60	0.13/0.14	15/17	2500/3000	24/29	37/44	22/26	3.0/4.4	
RAM8025S2-C		100~125	50/60	0.10/0.10	12/12	2150/2800	21/25	31/43	18/25	2.2/3.5	
RAH8025B1-C	Ball	220~240	50/60	0.08/0.09	17/19	2800/3350	27/31	43/51	25/30	3.6/5.3	
RAM8025B1-C		220~240	50/60	0.07/0.07	15/15	2350/2850	23/27	36/43	21/25	2.6/3.8	
RAH8025B2-C		100~125	50/60	0.13/0.14	15/17	2800/3350	27/31	43/51	25/30	3.6/5.3	
RAM8025B2-C		100~125	50/60	0.10/0.10	12/12	2350/2850	23/27	36/43	21/25	2.6/3.8	



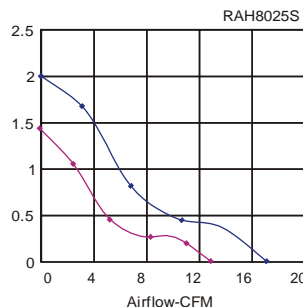
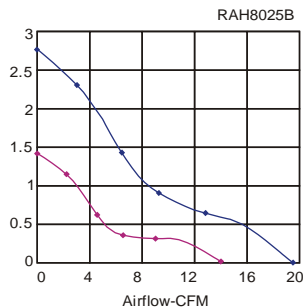
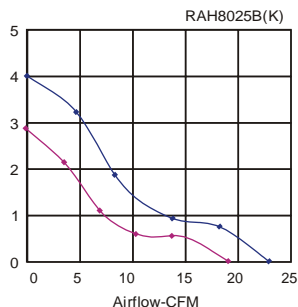
AC 8025 SERIES AXIAL FAN



Size: 80mmx80mmx25mm
Airflow: 22 ~ 39m³/hr
 13 ~ 23CFM
Weight: 208g
Noise: 20 ~ 26dBA
Impeller: PA6 UL94V-0 Reinforced Plastic
Frame: Aluminum Alloy
Terminals: 0.5mm
Lead Wire: AWG#22 UL 1007
 (Optional)
Motor: Shaded Pole Induction Motor
Safety: UL.CUL.TUV.CE
Operation Temperature: -10°C~+55°C

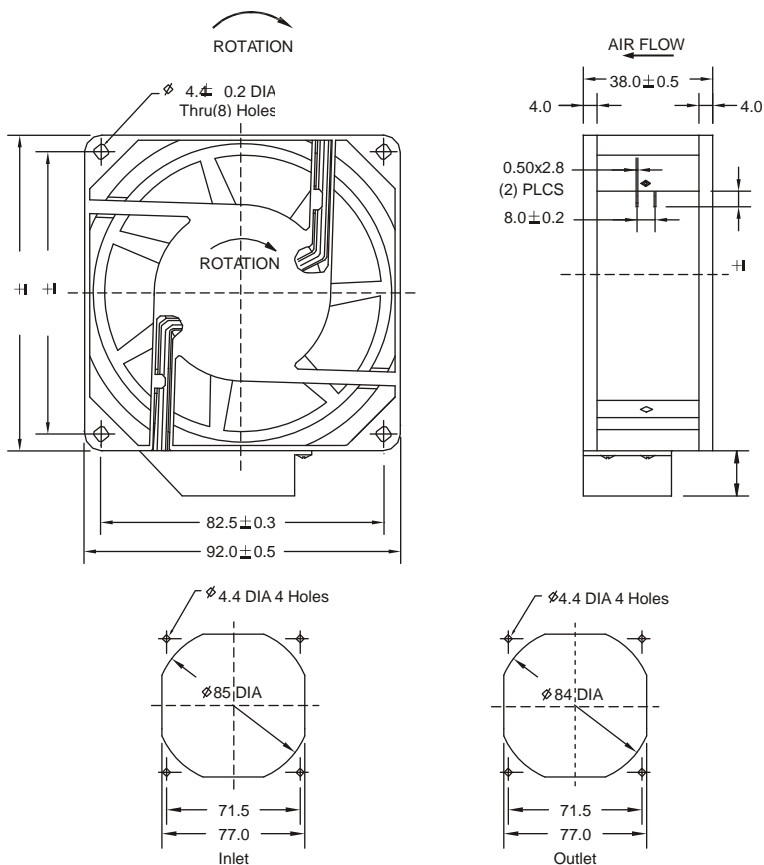
Unit:mm

Model	Bearing System	Voltage VAC	Freq. Hz	Current A	Power W	Speed RPM	Noise dBA	Air Flow		Static Pressure (mmH O)	Weight Gram
								M ³ /hr	CFM		
RAH8025S1	Sleeve	220~240	50/60	0.1	13/11	1600/2100	20/23	22/29	13/17	1.4/2.0	208
RAM8025S2		100~125	50/60	0.13	13/11	1600/2100	20/23	22/29	13/17	1.4/2.0	
RAH8025B1	Ball	220~240	50/60	0.1	13/11	1700/2200	21/26	24/32	14/19	1.4/2.7	
RAM8025B2		100~125	50/60	0.13	13/11	1700/2200	21/26	24/32	14/19	1.4/2.7	
RAH8025B1(K)		220~240	50/60	0.1	13/11	2300/2700	25/29	32/39	19/23	2.8/4.0	
RAH8025B2(K)		100~125	50/60	0.13	13/11	2300/2700	25/29	32/39	19/23	2.8/4.0	



Key
 — 60Hz
 — 50Hz

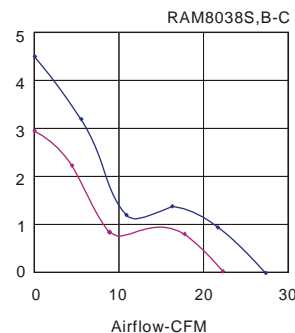
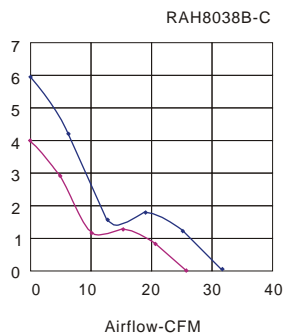
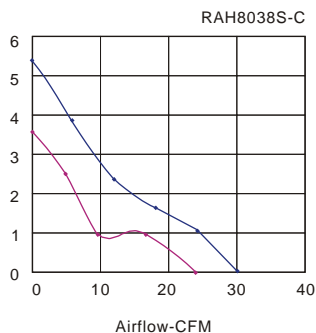
AC 8038 SERIES AXIAL FAN (High Air Flow)



Size: 80mmx80mmx38mm
 Airflow: 37 ~ 54m³/hr
 22 ~ 32CFM
 Weight: 350g
 Noise: 24 ~ 31.5dBA
 Impeller: PA6 UL94V-0 Reinforced Plastic
 Frame: Aluminum Alloy
 Terminals: 0.5mm
 Lead Wire: AWG#22 UL 1007
 (Optional)
 Motor: Capacitor-Run Induction Motor
 Safety: UL.CUL.TUV.CE
 Operation Temperature: -10°C~+65 °C

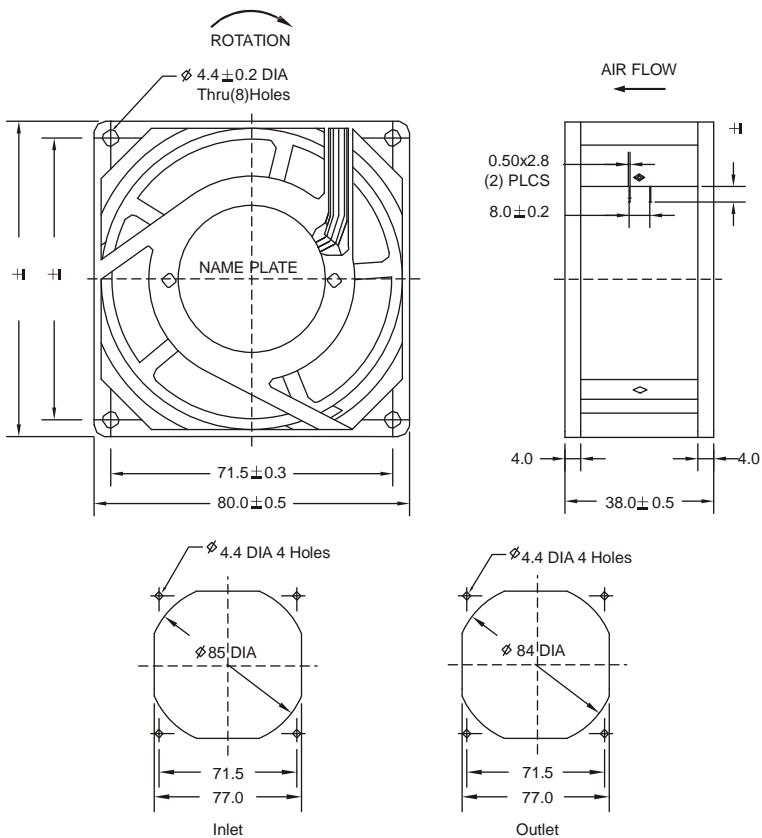
Unit:mm

Model	Bearing System	Voltage VAC	Freq. Hz	Current A	Power W	Speed RPM	Noise dBA	Air Flow		Static Pressure (mmH ₂ O)	Weight Gram
								M ³ /hr	CFM		
RAH8038S1-C	Sleeve	220~240	50/60	0.06/0.07	14/15	2650/3250	25/29	41/51	24/30	3.7/5.5	350
RAM8038S1-C		220~240	50/60	0.05/0.05	11/11	2400/2950	24/28	37/46	22/27	3.0/4.6	
RAH8038S2-C		100~125	50/60	0.11/0.12	13/14	2650/3250	25/29	41/51	24/30	3.7/5.5	
RAM8038S2-C		100~125	50/60	0.06/0.06	7/7	2400/2950	24/28	37/46	22/27	3.0/4.6	
RAH8038B1-C	Ball	220~240	50/60	0.06/0.07	14/15	2850/3450	26/31.5	44/54	26/32	4.1/6.0	
RAM8038B1-C		220~240	50/60	0.05/0.05	11/11	2400/2950	24/28	37/46	22/27	3.0/4.6	
RAH8038B2-C		100~125	50/60	0.11/0.12	13/14	2850/3450	26/31.5	44/54	26/32	4.1/6.0	
RAM8038B2-C		100~125	50/60	0.06/0.06	7/7	2400/2950	24/28	37/46	22/27	3.0/4.6	



Key
 — 60Hz
 — 50Hz

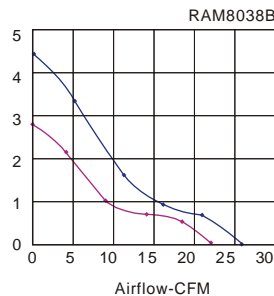
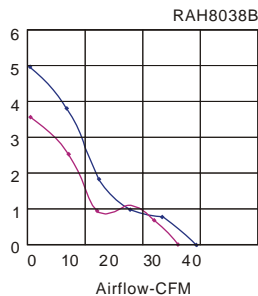
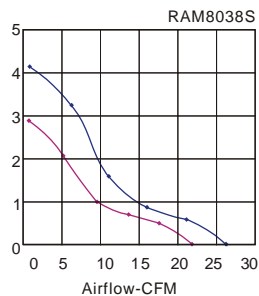
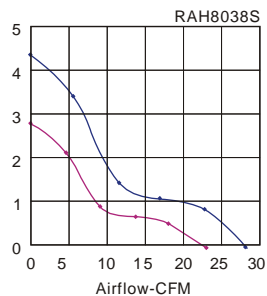
AC 8038 SERIES AXIAL FAN



Size: 80mmx80mmx38mm
 Airflow: 36 ~ 49m³/hr
 21 ~ 29CFM
 Weight: 340g
 Noise: 24 ~ 34dBA
 Impeller: PBT UL94V-0 Reinforced Plastic
 Frame: Aluminum Alloy
 Terminals: 0.5mm
 Lead Wire: AWG#22 UL 1007
 (Optional)
 Motor: Shaded Pole Induction Motor
 Safety: UL.CUL.TUV.CE
 Operation Temperature: -10°C~+65°C

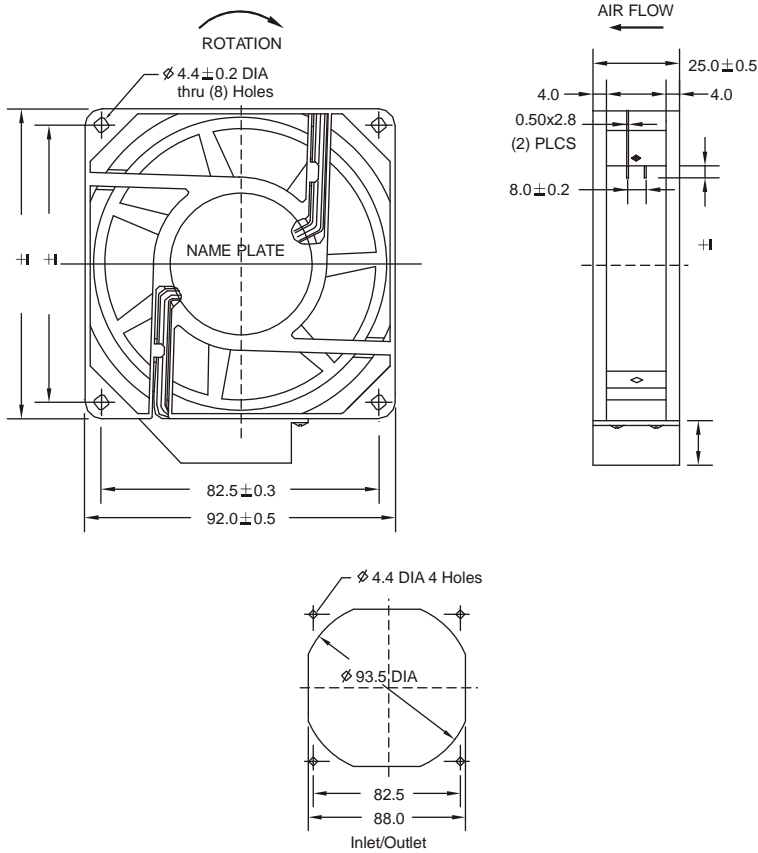
Unit:mm

Model	Bearing System	Voltage VAC	Freq. Hz	Current A	Power W	Speed RPM	Noise dBA	Air Flow		Static Pressure (mmH O)	Weight Gram
								M ³ /hr	CFM		
RAH8038S1	Sleeve	220~240	50/60	0.08	14/10	2400/2900	27/32	39/48	23/28	2.9/4.5	340
RAM8038S1		220~240	50/60	0.06	7/6	2300/2700	26/30	36/44	21/26	2.7/4.2	
RAH8038S2		100~125	50/60	0.20	16/12	2400/2900	27/32	39/48	23/28	2.9/4.5	
RAM8038S2		100~125	50/60	0.10	9/7	2300/2700	26/30	36/44	21/26	2.7/4.2	
RAH8038B1	Ball	220~240	50/60	0.08	14/10	2700/3000	28/34	44/49	26/29	3.7/5.0	
RAM8038B1		220~240	50/60	0.06	7/6	2300/2700	26/30	37/44	22/26	2.8/4.5	
RAH8038B2		100~125	50/60	0.20	16/12	2700/3000	28/34	44/49	26/29	3.7/5.0	
RAM8038B2		100~125	50/60	0.10	9/7	2300/2700	26/30	37/44	22/26	2.8/4.5	



Key
 — 60Hz
 — 50Hz

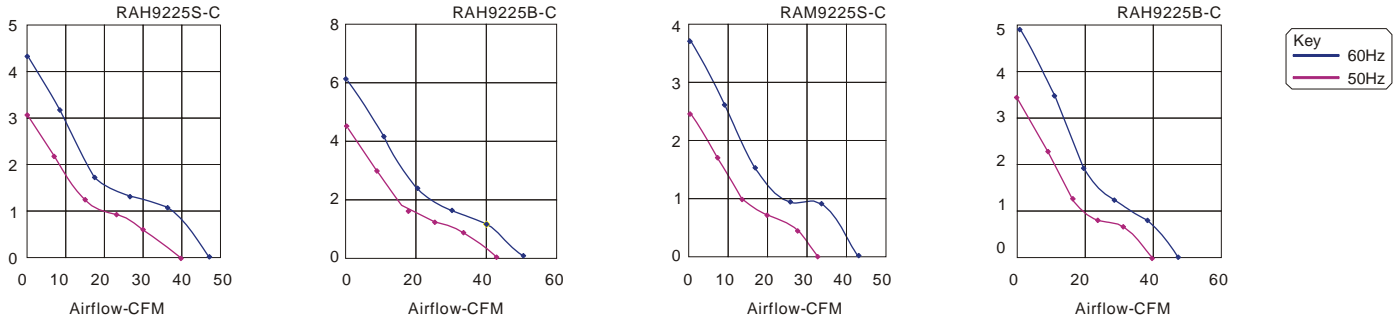
AC 9225 SERIES AXIAL FAN (High Air Flow)



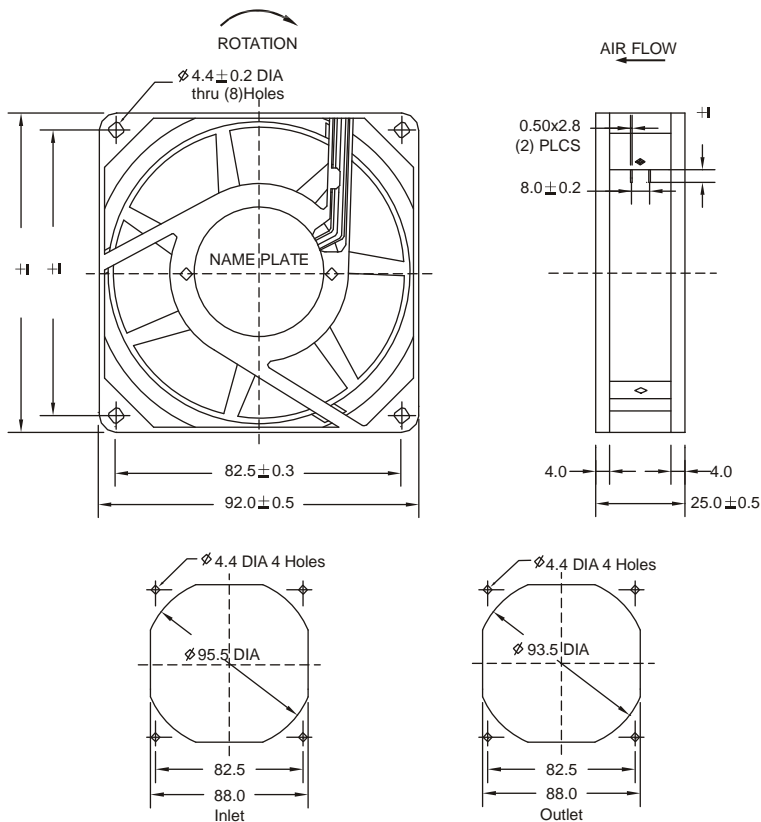
Size: 92mmx92mmx25mm
Airflow: 53 ~ 85m³/hr
 31 ~ 50CFM
Weight: 280g
Noise: 25 ~ 34dBA
Impeller: PA6 UL94V-0 Reinforced Plastic
Frame: Aluminum Alloy
Terminals: 0.5mm
Lead Wire: AWG#22 UL 1007
 (Optional)
Motor: Capacitor-Run Induction Motor
Safety: UL.CUL.TUV.CE
Operation Temperature: -10 °C~+55 °C

Unit:mm

Model	Bearing System	Voltage VAC	Freq. Hz	Current A	Power W	Speed RPM	Noise dBA	Air Flow		Static Pressure (mmH ₂ O)	Weight Gram
								M ³ /hr	CFM		
RAH9225S1-C	Sleeve	220~240	50/60	0.08/0.09	17/18	2350/2850	26/31	66/80	39/47	3.1/4.4	280
RAM9225S1-C		220~240	50/60	0.07/0.07	15/15	2100/2600	25/29	53/71	31/42	2.4/3.7	
RAH9225S2-C		100~125	50/60	0.15/0.16	17/18	2350/2850	26/31	66/80	39/47	3.1/4.4	
RAM9225S2-C		100~125	50/60	0.11/0.11	13/13	2100/2600	25/29	53/71	31/42	2.4/3.7	
RAH9225B1-C	Ball	220~240	50/60	0.08/0.09	17/18	2700/3200	30/34	71/85	42/50	4.3/6.0	
RAM9225B1-C		220~240	50/60	0.07/0.07	15/15	2400/2950	27/32	66/82	39/48	3.3/4.8	
RAH9225B2-C		100~125	50/60	0.15/0.16	17/18	2700/3200	30/34	71/85	42/50	4.3/6.0	
RAM9225B2-C		100~125	50/60	0.13/0.13	15/15	2400/2950	27/32	66/82	39/48	3.3/4.8	



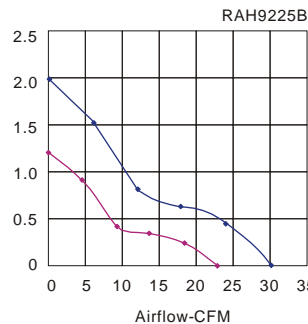
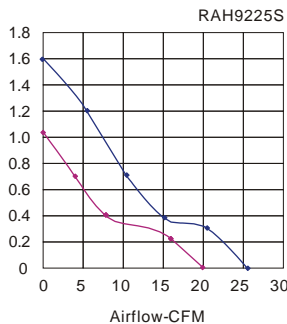
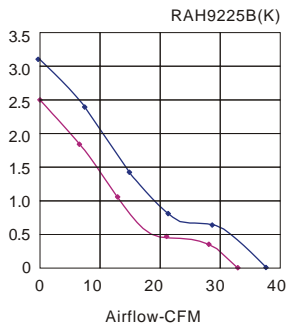
AC 9225 SERIES AXIAL FAN



Size: 92mmx92mmx25mm
 Airflow: 33 ~ 65m³/hr
 20 ~ 38CFM
 Weight: 240g
 Noise: 20 ~ 26dBA
 Impeller: PA6 UL94V-0 Reinforced Plastic
 Frame: Aluminum Alloy
 Terminals: 0.5mm
 Lead Wire: AWG#22 UL 1007
 (Optional)
 Motor: Shaded Pole Induction Motor
 Safety: UL.CUL.TUV.CE
 Operation Temperature: -10°C~+55°C

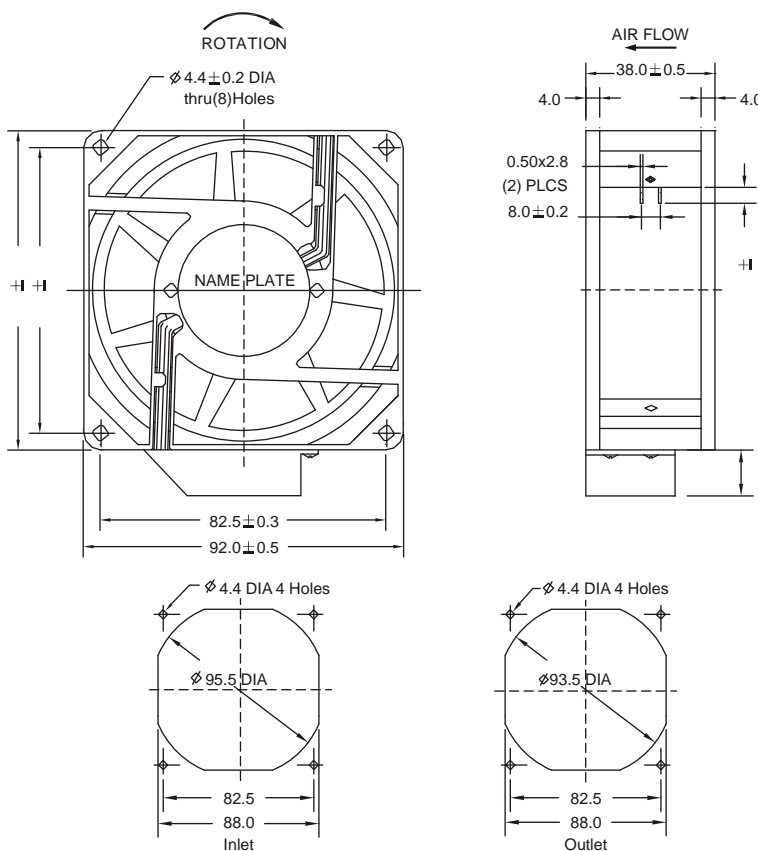
Unit:mm

Model	Bearing System	Voltage VAC	Freq. Hz	Current A	Power W	Speed RPM	Noise dBA	Air Flow		Static Pressure (mmH O)	Weight Gram
								M ³ /hr	CFM		
RAH9225S1	Sleeve	220~240	50/60	0.1	13/11	1300/1700	20/23	33/43	20/26	1.0/1.6	240
RAM9225S2		100~125	50/60	0.13	13/11	1300/1700	20/23	33/43	20/26	1.0/1.6	
RAH9225B1	Ball	220~240	50/60	0.1	13/11	1400/1900	22/26	37/50	22/30	1.2/1.9	
RAM9225B2		100~125	50/60	0.13	13/11	1400/1900	22/26	37/50	22/30	1.2/1.9	
RAH9225B1(K)		220~240	50/60	0.1	13/11	2000/2350	27/31	54/65	32/38	2.5/3.1	
RAH9225B2(K)		100~125	50/60	0.13	13/11	2000/2350	27/31	54/65	32/38	2.5/3.1	



Key
 — 60Hz
 — 50Hz

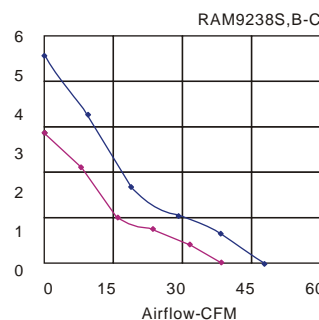
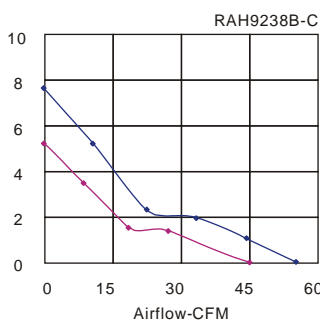
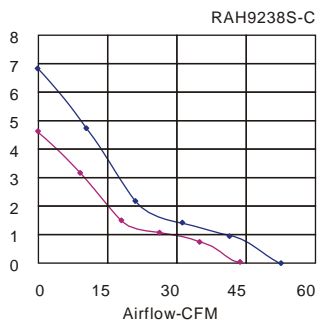
AC 9238 SERIES AXIAL FAN (High Air Flow)



Size: 92mmx92mmx38mm
 Airflow: 66 ~ 95m³/hr
 39 ~ 56CFM
 Weight: 380g
 Noise: 26 ~ 36dBA
 Impeller: PA6 UL94V-0 Reinforced Plastic
 Frame: Aluminum Alloy
 Terminals: 0.5mm
 Lead Wire: AWG#22 UL 1007
 (Optional)
 Motor: Capacitor-Run Induction Motor
 Safety: UL.CUL.TUV.CE
 Operation Temperature: -10°C~+65 °C

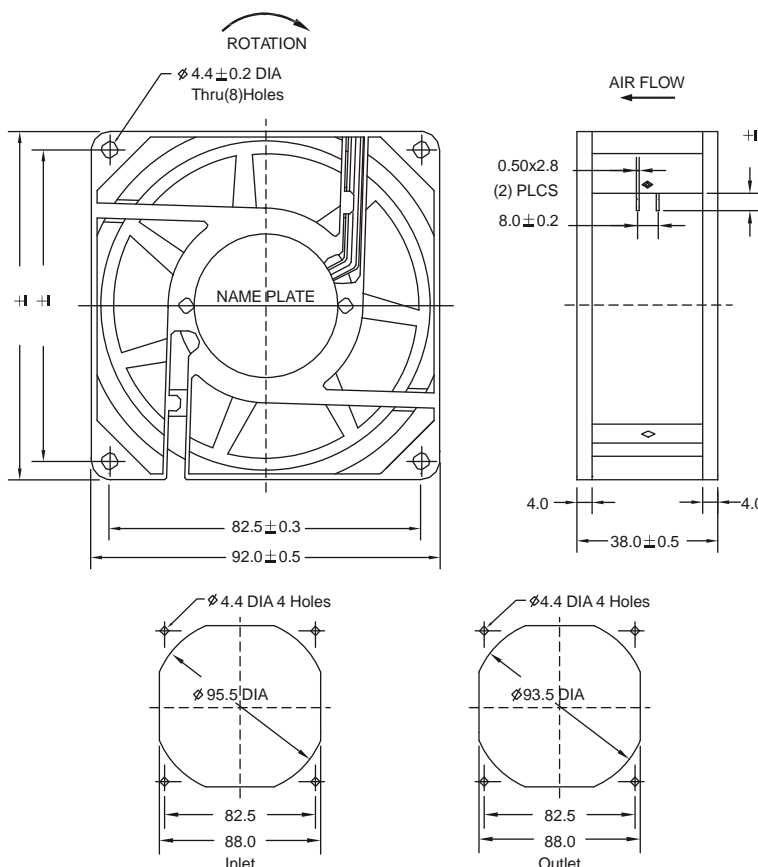
Unit:mm

Model	Bearing System	Voltage VAC	Freq. Hz	Current A	Power W	Speed RPM	Noise dBA	Air Flow		Static Pressure (mmH ₂ O)	Weight Gram
								M ³ /hr	CFM		
RAH9238S1-C	Sleeve	220~240	50/60	0.07/0.08	16/17	2650/3200	29/35	75/90	44/53	4.6/6.9	380
RAM9238S1-C		220~240	50/60	0.05/0.05	11/11	2350/2850	26/31	66/82	39/48	3.4/5.4	
RAH9238S2-C		100~125	50/60	0.13/0.14	16/17	2650/3200	29/35	75/90	44/53	4.6/6.9	
RAM9238S2-C		100~125	50/60	0.06/0.06	9/9	2350/2850	26/31	66/82	39/48	3.4/5.4	
RAH9238B1-C	Ball	220~240	50/60	0.07/0.08	16/17	2800/3350	30/36	78/95	46/56	5.3/7.7	
RAM9238B1-C		220~240	50/60	0.05/0.05	11/11	2350/2850	26/31	66/82	34/48	3.4/5.4	
RAH9238B2-C		100~125	50/60	0.13/0.14	16/17	2800/3350	30/36	78/95	46/56	5.3/7.7	
RAM9238B2-C		100~125	50/60	0.06/0.06	9/9	2350/2850	26/31	66/82	34/48	3.4/5.4	



Key
 — 60Hz
 — 50Hz

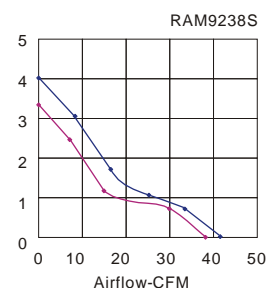
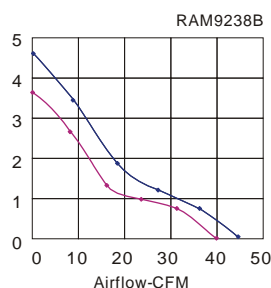
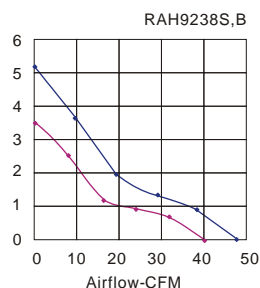
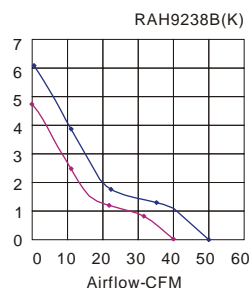
AC 9238 SERIES AXIAL FAN



Size: 92mmx92mmx38mm
Airflow: 63 ~ 85m³/hr
 37 ~ 50CFM
Weight: 350g
Noise: 25 ~ 35dBA
Impeller: PA6 UL94V-0 Reinforced Plastic
Frame: Aluminum Alloy
Terminals: 0.5mm
Lead Wire: AWG#22 UL 1007
 (Optional)
Motor: Shaded Pole Induction Motor
Safety: UL.CUL.TUV.CE
Operation Temperature: -10°C~+65°C

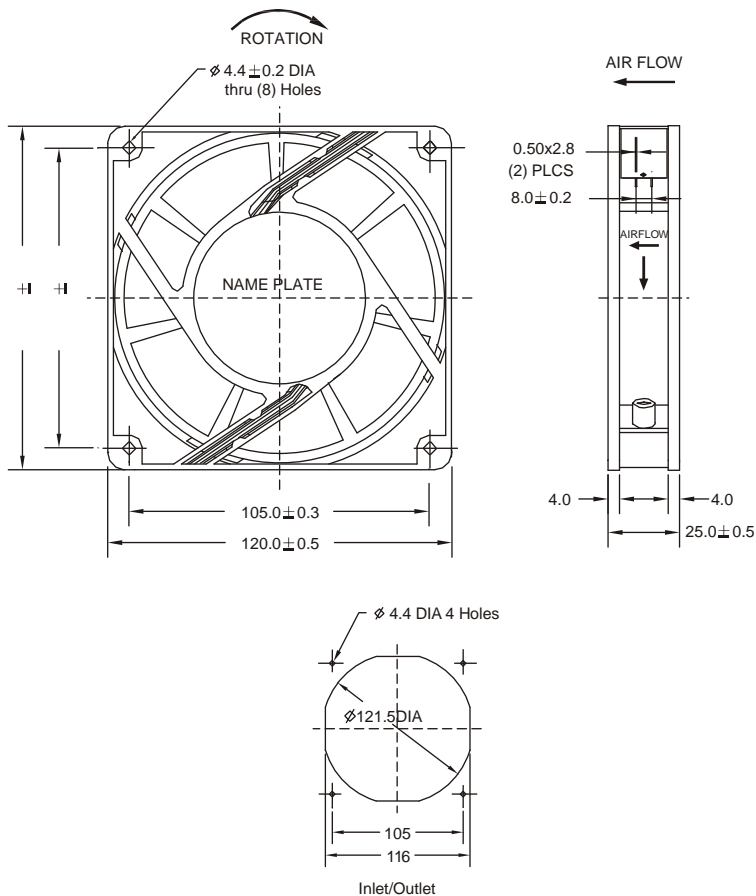
Unit:mm

Model	Bearing System	Voltage VAC	Freq. Hz	Current A	Power W	Speed RPM	Noise dBA	Air Flow		Static Pressure (mmH O)	Weight Gram
								M ³ /hr	CFM		
RAH9238S1	Sleeve	220~240	50/60	0.10/0.08	17/13	2350/2750	26/31	66/78	39/46	3.6/5.2	350
RAM9238S1		220~240	50/60	0.07/0.06	11/8	2200/2500	25/27	63/70	37/41	3.3/4.0	
RAH9238S2		100~125	50/60	0.23/0.18	17/13	2350/2750	26/31	66/78	39/46	3.6/5.2	
RAM9238S2		100~125	50/60	0.12/0.09	9/7	2200/2500	25/27	63/70	37/41	3.3/4.0	
RAH9238B1	Ball	220~240	50/60	0.10/0.08	17/13	2350/2750	27/32	66/78	39/46	3.6/5.2	
RAM9238B1		220~240	50/60	0.07/0.06	11/8	2250/2600	26/28	65/75	38/44	3.7/4.6	
RAH9238B2		100~125	50/60	0.23/0.18	17/13	2350/2750	27/32	66/78	39/46	3.6/5.2	
RAM9238B2		100~125	50/60	0.12/0.09	9/7	2250/2600	26/28	65/75	38/44	3.7/4.6	
RAH9238B1(K)		220~240	50/60	0.10/0.08	17/13	2600/3000	31/35	72/85	42/50	4.5/6.1	
RAH9238B2(K)		100~125	50/60	0.23/0.18	17/13	2600/3000	31/35	72/85	42/50	4.5/6.1	



Key
 — 60Hz
 — 50Hz

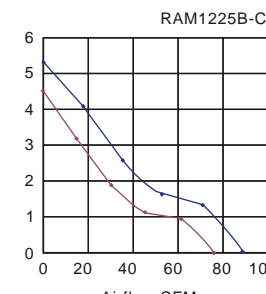
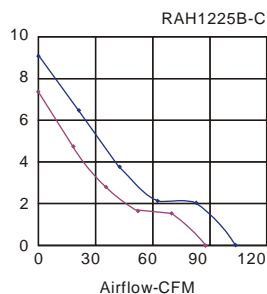
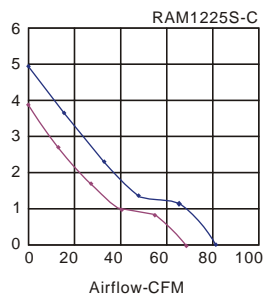
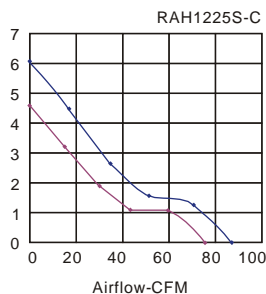
AC 1225 SERIES AXIAL FAN (High Air Flow)



Size: 120mmx120mmx25mm
 Airflow: 119~175m³/hr
 70~103CFM
 Weight: 370g
 Noise: 36~46dBA
 Impeller: PA6 UL94V-0 Reinforced Plastic
 Frame: Aluminum Alloy
 Terminals: 0.5mm
 Lead Wire: AWG#22 UL 1007
 (Optional)
 Motor: Capacitor-Run Induction Motor
 Safety: UL.CUL.TUV.CE
 Operation Temperature: -10°C~+55°C

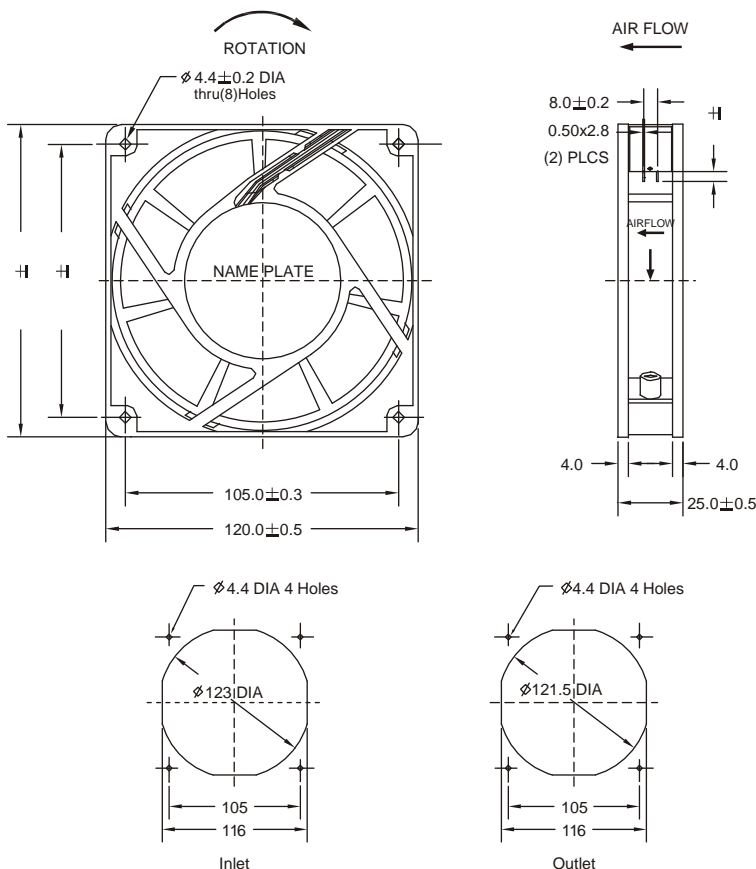
Unit:mm

Model	Bearing System	Voltage VAC	Freq. Hz	Current A	Power W	Speed RPM	Noise dBA	Air Flow		Static Pressure (mmH ₂ O)	Weight Gram
								M ³ /hr	CFM		
RAH1225S1-C	Sleeve	220~240	50/60	0.09/0.09	19/20	2450/2900	38/42	129/150	76/90	4.6/6.2	370
RAM1225S1-C		220~240	50/60	0.08/0.08	18/19	2300/2750	36/40	119/143	70/84	4.0/5.0	
RAH1225S2-C		100~125	50/60	0.15/0.16	18/19	2450/2900	38/42	129/150	76/90	4.6/6.2	
RAM1225S2-C		100~125	50/60	0.14/0.14	17/17	2300/2750	36/40	119/143	70/84	4.0/5.0	
RAH1225B1-C	Ball	220~240	50/60	0.09/0.09	19/20	2800/3350	42/46	146/175	86/103	7.3/9.0	
RAM1225B1-C		220~240	50/60	0.08/0.08	18/19	2450/2900	38/43	129/150	76/90	4.6/5.3	
RAH1225B2-C		100~125	50/60	0.15/0.16	18/19	2800/3350	42/46	146/175	86/103	7.3/9.0	
RAM1225B2-C		100~125	50/60	0.08/0.08	18/19	2450/2900	38/43	129/150	76/90	4.6/5.3	



Key
 — 60Hz
 — 50Hz

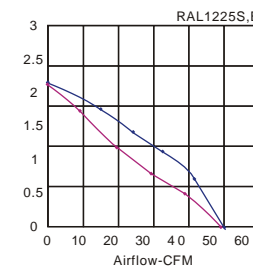
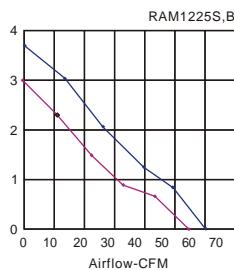
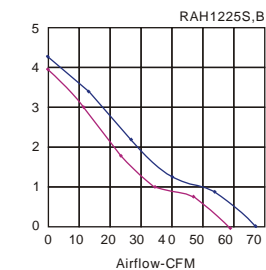
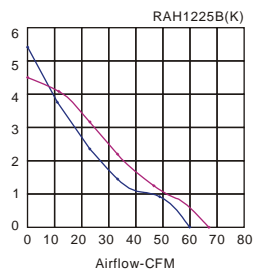
AC 1225 SERIES AXIAL FAN



Size: 120mmx120mmx25mm
 Airflow: 85 ~ 129m³/hr
 50 ~ 76CFM
 Weight: 370g
 Noise: 31 ~ 39dBA
 Impeller: PA6 UL94V-0 Reinforced Plastic
 Frame: Aluminum Alloy
 Terminals: 0.5mm
 Lead Wire: AWG#22 UL 1007
 (Optional)
 Motor: Shaded Pole Induction Motor
 Safety: UL.CUL.TUV.CE
 Operation Temperature: -10°C~+55°C

Unit:mm

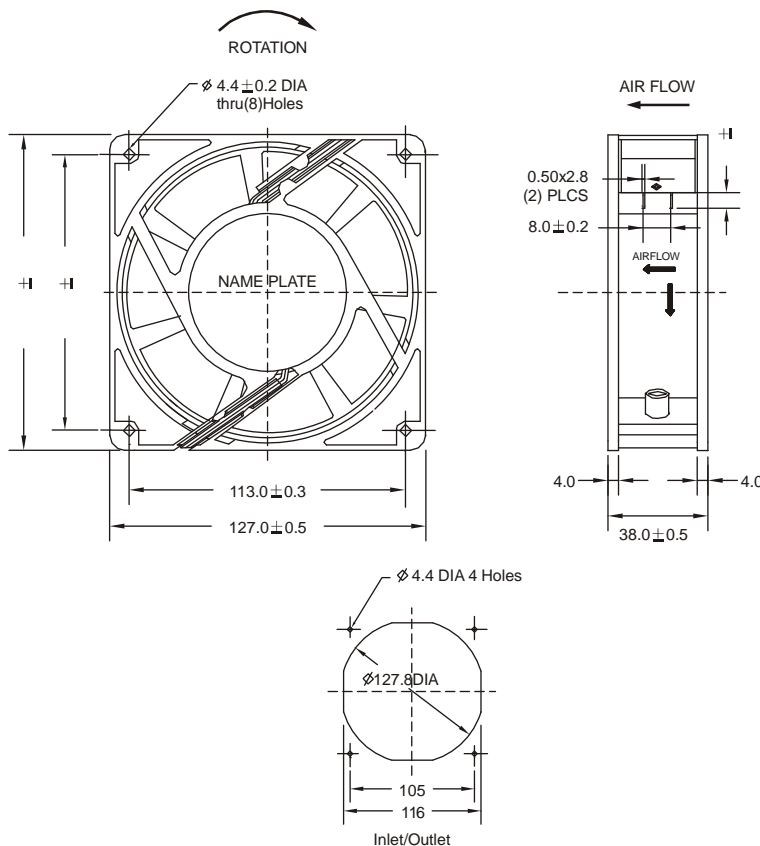
Model	Bearing System	Voltage VAC	Freq. Hz	Current A	Power W	Speed RPM	Noise dBA	Air Flow		Static Pressure (mm H ₂ O)	Weight Gram
								M ³ /hr	CFM		
RAH1225S1	Sleeve	220~240	50/60	0.07	14/13	2150/2450	34/39	100/115	59/68	4.0/4.3	370
RAM1225S1		220~240	50/60	0.06	11/10	2000/2200	33/34	94/102	55/60	3.0/3.7	
RAL1225S1		220~240	50/60	0.05	9/8	1800/1800	31/31	85/85	50/50	2.2/2.2	
RAH1225S2		100~125	50/60	0.17	14/13	2150/2450	34/39	100/115	59/68	4.0/4.3	
RAM1225S2		100~125	50/60	0.13	11/10	2000/2200	33/34	94/102	55/60	3.0/3.7	
RAL1225S2		100~125	50/60	0.09	9/8	1800/1800	31/31	85/85	50/50	2.2/2.2	
RAH1225B1	Ball	220~240	50/60	0.07	14/13	2150/2450	34/39	100/115	59/68	4.0/4.3	
RAM1225B1		220~240	50/60	0.06	11/10	2000/2200	33/34	94/102	55/60	3.0/3.7	
RAL1225B1		220~240	50/60	0.05	9/8	1800/1800	31/31	85/85	50/50	2.2/2.2	
RAH1225B2		100~125	50/60	0.17	14/13	2150/2450	34/39	100/115	59/68	4.0/4.3	
RAM1225B2		100~125	50/60	0.13	11/10	2000/2200	33/34	94/102	55/60	3.0/3.7	
RAL1225B2		100~125	50/60	0.09	9/8	1800/1800	31/31	85/85	50/50	2.2/2.2	
RAH1225B1(K)		220~240	50/60	0.07	16/14	2450/2700	39/41	115/129	68/76	5.4/5.1	
RAH1225B2(K)		100~125	50/60	0.07	16/14	2450/2700	39/41	115/129	68/76	5.4/5.1	



Key
 — 60Hz
 — 50Hz

AC 1238 SERIES AXIAL FAN

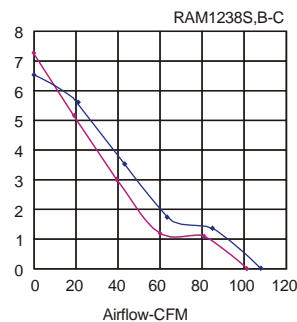
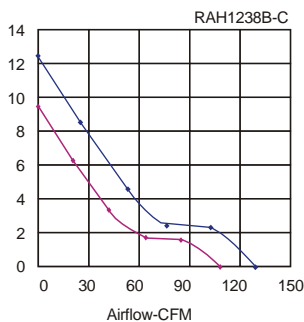
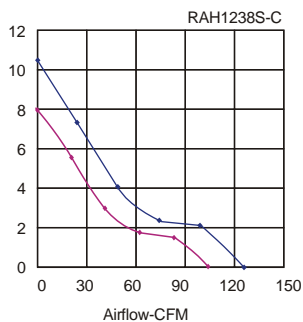
(High Air Flow) (7 Plastic Blade)



Size: 120mmx120mmx38mm
 Airflow: 177 ~ 221m³/hr
 104 ~ 130CFM
 Weight: 504g
 Noise: 39 ~ 47dBA
 Impeller: PA6 UL94V-0 Reinforced Plastic
 Frame: Aluminium Alloy
 Terminals: 0.5mm
 Lead Wire: AWG#22 UL 1430
 (Optional)
 Motor: Capacitor-Run Induction Motor
 Safety: UL.CUL.TUV.CE
 Operation Temperature: -10°C ~ +60°C

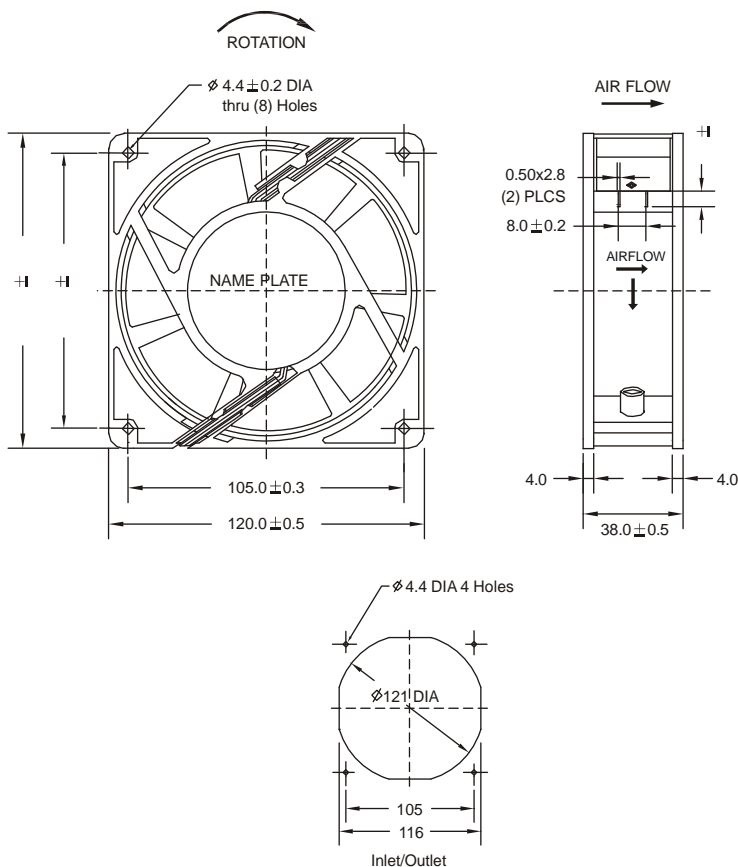
Unit:mm

Model	Bearing System	Voltage VAC	Freq. Hz	Current A	Power W	Speed RPM	Noise dBA	Air Flow		Static Pressure (mmH ₂ O)	Weight Gram
								M ³ /hr	CFM		
RAH1238S1-C	Sleeve	220~240	50/60	0.10/0.11	21/21	2650/3100	42/45	180/214	106/126	8.2/10.6	504
RAM1238S1-C		220~240	50/60	0.08/0.09	11/12	2550/2800	39/43	177/185	104/109	7.3/6.5	
RAH1238S2-C		100~125	50/60	0.17/0.18	22/22	2650/3100	42/45	180/214	106/126	8.2/10.6	
RAM1238S2-C		100~125	50/60	0.15/0.16	11/12	2550/2800	39/43	177/185	104/109	7.3/6.5	
RAH1238B1-C	Ball	220~240	50/60	0.10/0.11	21/21	2800/3300	43/47	185/221	109/130	9.6/12.5	
RAM1238B1-C		220~240	50/60	0.08/0.09	11/12	2550/2800	39/43	177/185	104/109	7.3/6.5	
RAH1238B2-C		100~125	50/60	0.17/0.18	22/22	2800/3300	43/47	185/221	109/130	9.6/12.5	
RAM1238B2-C		100~125	50/60	0.15/0.16	11/12	2550/2800	39/43	177/185	104/109	7.3/6.5	



Key
 — 60Hz
 — 50Hz

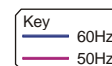
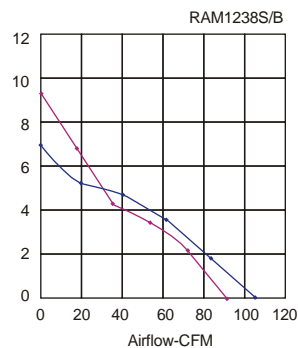
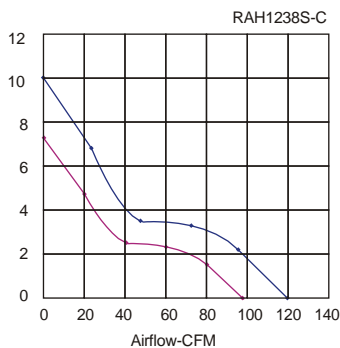
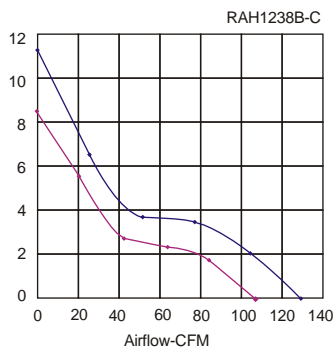
AC 1238 SERIES AXIAL FAN (Reverse)



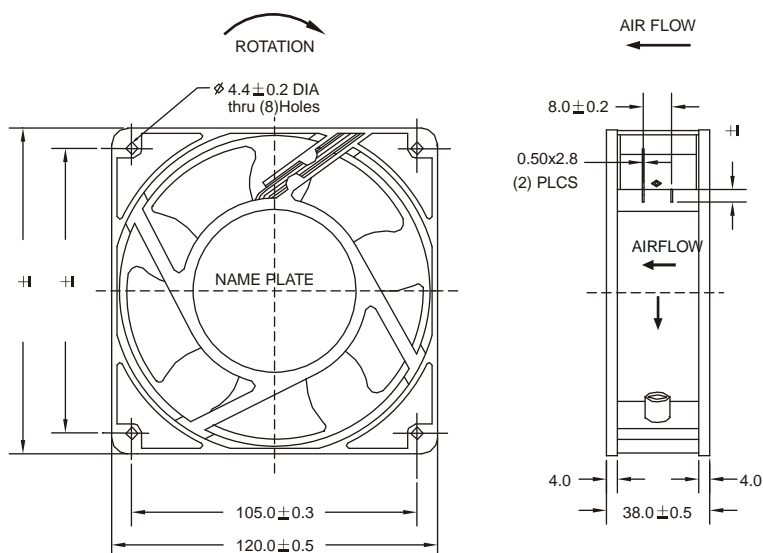
Size: 120mmx120mmx38mm
 Airflow: 165 ~ 212m³/hr
 97 ~ 129CFM
 Weight: 504g
 Noise: 42 ~ 50dBA
 Impeller: PA6 UL94V-0 Reinforced Plastic
 Frame: Aluminum Alloy
 Terminals: 0.5mm
 Lead Wire: AWG#22 UL 1430
 (Optional)
 Motor: Capaitor-Run Induction Motor
 Safety: UL.CUL.TUV.CE
 Operation Temperature: -10°C~+60°C

Unit:mm

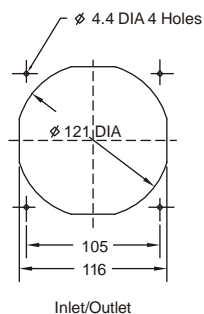
Model	Bearing System	Voltage VAC	Freq. Hz	Current A	Power W	Speed RPM	Noise dBA	Air Flow		Static Pressure (mmH ₂ O)	Weight Gram
								M ³ /hr	CFM		
RAH1238S1-C	Sleeve	220~240	50/60	0.10/0.11	21/21	2700/3200	46/50	170/202	100/119	7.3/9.5	504
RAM1238S1-C		220~240	50/60	0.08/0.09	13/14	2550/2800	43/46	161/178	93/105	4.7/3.6	
RAH1238S2-C		100~125	50/60	0.17/0.18	24/23	2700/3200	46/50	170/202	100/119	7.3/9.5	
RAM1238S2-C		100~125	50/60	0.15/0.16	14/14	2550/2800	43/46	161/178	93/105	4.7/3.6	
RAH1238B1-C	Ball	220~240	50/60	0.10/0.11	20/20	2850/3400	45/49	178/214	105/126	8.3/10.6	
RAM1238B1-C		220~240	50/60	0.08/0.09	13/14	2550/2800	43/46	161/178	93/105	4.7/3.6	
RAH1238B2-C		100~125	50/60	0.17/0.18	23/22	2850/3400	45/49	178/214	105/126	8.3/10.6	
RAM1238B2-C		100~125	50/60	0.15/0.16	14/14	2550/2800	43/46	161/178	93/105	4.7/3.6	



AC 1238 SERIES AXIAL FAN

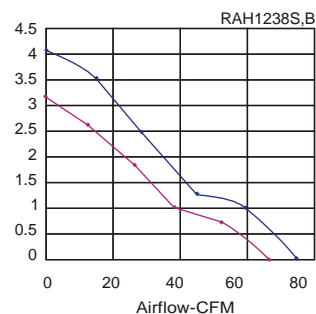
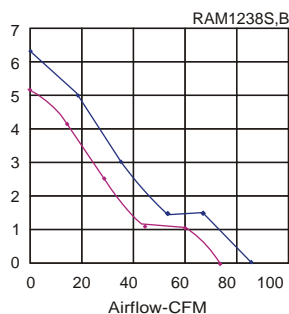
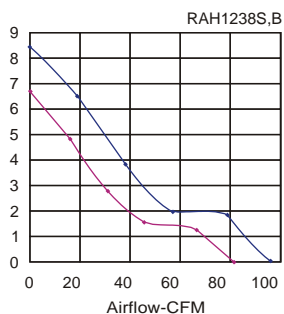


Size: 120mmx120mmx38mm
Airflow: 114~163m³/hr
 67~96CFM
Weight: 540g
Noise: 35~45dBA
Impeller: PBT UL94V-0 Reinforced Plastic
Frame: Aluminum Alloy
Terminals: 0.5mm
Lead Wire: AWG#22 UL 1007
 (Optional)
Motor: Shaded Pole Induction Motor
Safety: UL.CUL.TUV.CE
Operation Temperature: -10°C~+70°C



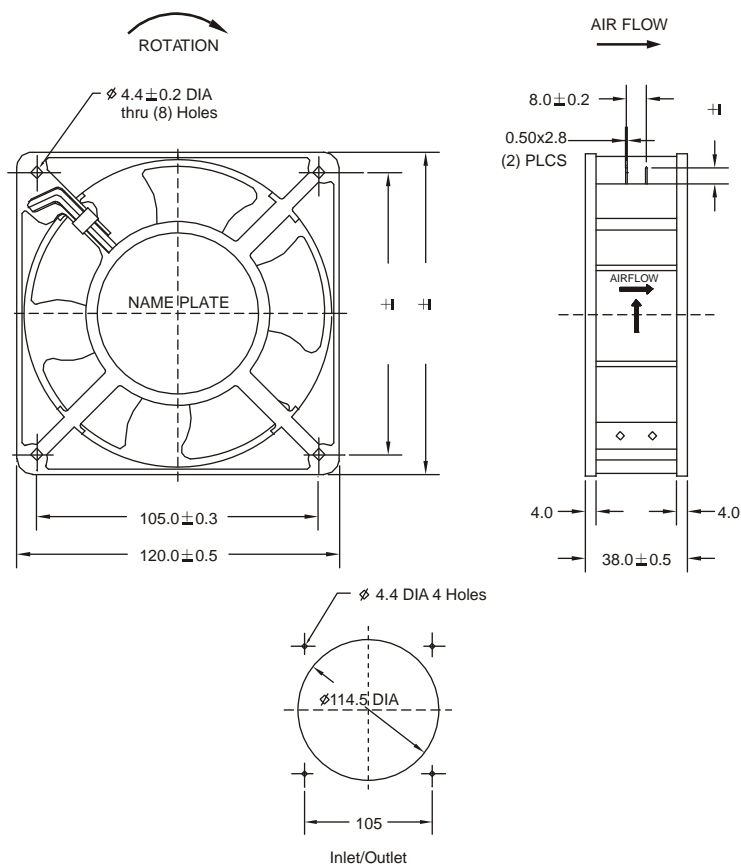
Unit:mm

Model	Bearing System	Voltage VAC	Freq. Hz	Current A	Power W	Speed RPM	Noise dBA	Air Flow		Static Pressure (mm H ₂ O)	Weight Gram
								M /hr	CFM		
RAH1238S1	Sleeve	220~240	50/60	0.20	23/20	2600/3000	40/43	139/163	82/96	6.8/8.5	540
RAM1238S1		220~240	50/60	0.16	15/14	2400/2700	39/42	127/144	75/85	5.3/6.3	
RAL1238S1		220~240	50/60	0.10	10/9	2100/2400	35/39	114/127	67/75	3.1/4.1	
RAH1238S2		100~125	50/60	0.30	23/20	2600/3000	40/43	139/163	82/96	6.8/8.5	
RAM1238S2		100~125	50/60	0.25	15/14	2400/2700	39/42	127/144	75/85	5.3/6.3	
RAL1238S2		100~125	50/60	0.20	10/9	2100/2400	35/39	114/127	67/75	3.1/4.1	
RAH1238B1	Ball	220~240	50/60	0.20	23/20	2600/3000	41/44	139/163	82/96	6.8/8.5	
RAM1238B1		220~240	50/60	0.16	15/14	2400/2700	39/42	127/144	75/85	5.3/6.3	
RAL1238B1		220~240	50/60	0.10	10/9	2100/2400	35/39	114/127	67/75	3.1/4.1	
RAH1238B2		100~125	50/60	0.30	23/20	2600/3000	41/44	139/163	82/96	6.8/8.5	
RAM1238B2		100~125	50/60	0.25	15/14	2400/2700	39/42	127/144	75/85	5.3/6.3	
RAL1238B2		100~125	50/60	0.20	10/9	2100/2400	35/39	114/127	67/75	3.1/4.1	



Key
 — 60Hz
 — 50Hz

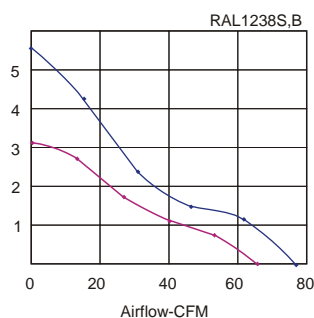
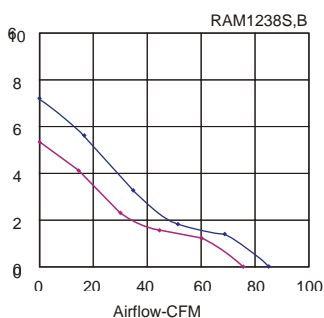
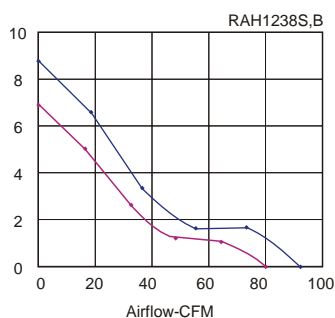
AC 1238 SERIES AXIAL FAN



Size: 120mmx120mmx38mm
Airflow: 112~158m³/hr
 66~93CFM
Weight: 540g
Noise: 36~44dBA
Impeller: PBT UL94V-0 Reinforced Plastic
Frame: Aluminum Alloy
Terminals: 0.5mm
Lead Wire: AWG#22 UL 1007
 (Optional)
Motor: Shaded Pole Induction Motor
Safety: UL.CUL.TUV.CE
Operation Temperature: -10°C~+70°C

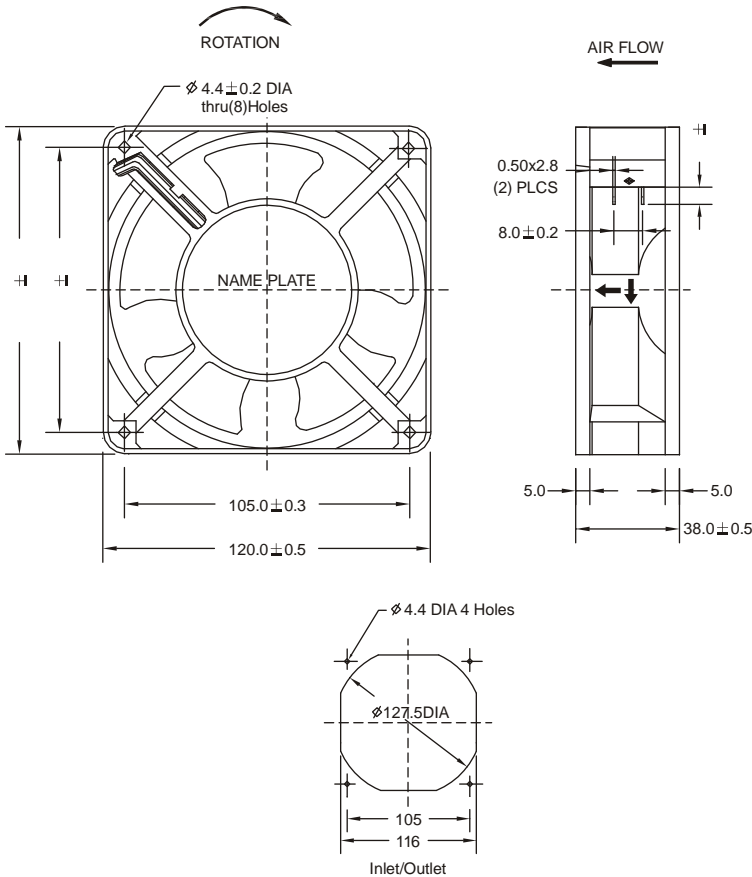
Unit:mm

Model	Bearing System	Voltage VAC	Freq. Hz	Current A	Power W	Speed RPM	Noise dBA	Air Flow		Static Pressure (mmH ₂ O)	Weight Gram
								M ³ /hr	CFM		
RAH1238S1(A5B)	Sleeve	220~240	50/60	0.20	23/20	2600/3000	41/44	138/158	81/93	7.0/8.8	540
RAM1238S1(A5B)		220~240	50/60	0.16	15/14	2400/2700	40/42	131/146	77/86	5.3/7.2	
RAL1238S1(A5B)		220~240	50/60	0.10	10/9	2100/2400	36/40	112/131	66/77	3.2/5.6	
RAH1238S2(A5B)		100~125	50/60	0.30	23/20	2600/3000	41/44	138/158	81/93	7.0/8.8	
RAM1238S2(A5B)		100~125	50/60	0.25	15/14	2400/2700	40/42	131/146	77/86	5.3/7.2	
RAL1238S2(A5B)		100~125	50/60	0.20	10/9	2100/2400	36/40	112/131	66/77	3.2/5.6	
RAM1238B1(A5B)	Ball	220~240	50/60	0.20	23/20	2600/3000	41/44	138/158	81/93	7.0/8.8	
RAL1238B1(A5B)		220~240	50/60	0.16	15/14	2400/2700	40/42	131/146	77/86	5.3/7.2	
RAH1238B2(A5B)		220~240	50/60	0.10	10/9	2100/2400	36/40	112/131	66/77	3.2/5.6	
RAM1238B2(A5B)		100~125	50/60	0.30	23/20	2600/3000	41/44	138/158	81/93	7.0/8.8	
RAL1238B2(A5B)		100~125	50/60	0.25	15/14	2400/2700	40/42	131/146	77/86	5.3/7.2	
			100~125	50/60	0.20	10/9	2100/2400	36/40	112/131	66/77	



Key
 — 60Hz
 — 50Hz

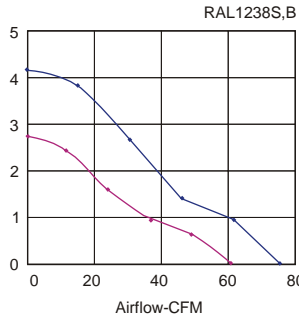
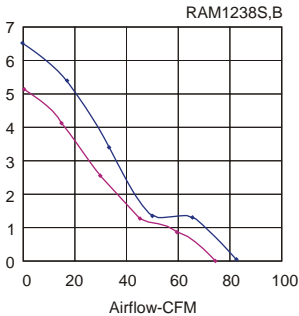
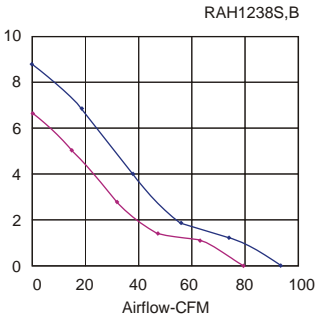
AC 1238 SERIES AXIAL FAN



Size: 120mmx120mmx38mm
 Airflow: 104 ~ 160m³/hr
 61 ~ 94CFM
 Weight: 450g
 Noise: 36 ~ 44dBA
 Impeller: PBT UL94V-0 Reinforced Plastic
 Frame: PBT UL94V-0 Reinforced Plastic
 Terminals: 0.5mm
 Lead Wire: AWG#22 UL 1007
 (Optional)
 Motor: Shaded Pole Induction Motor
 Safety: UL.CUL.TUV.CE
 Operation Temperature: -10°C~+50°C

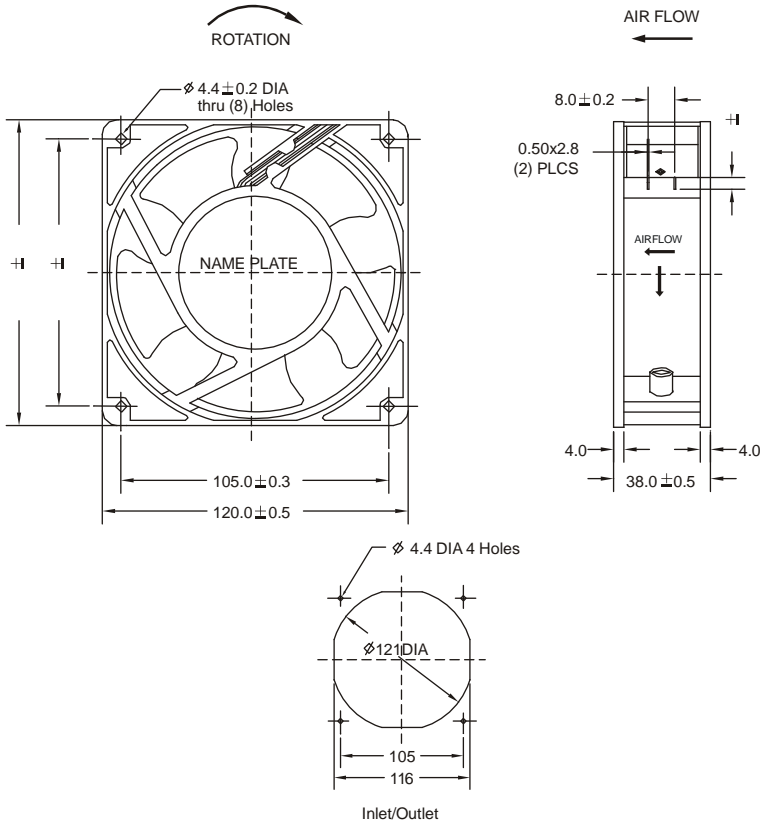
Unit:mm

Model	Bearing System	Voltage VAC	Freq. Hz	Current A	Power W	Speed RPM	Noise dBA	Air Flow		Static Pressure (mmH ₂ O)	Weight Gram
								M /hr	CFM		
RAH1238S1(P5B)	Sleeve	220~240	50/60	0.20	23/20	2600/3000	42/44	134/160	79/94	6.8/8.8	450
RAM1238S1(P5B)		220~240	50/60	0.16	15/14	2400/2700	40/43	127/141	75/83	5.2/6.5	
RAL1238S1(P5B)		220~240	50/60	0.10	10/9	2000/2400	36/40	104/127	61/75	2.8/4.2	
RAH1238S2(P5B)		100~125	50/60	0.30	23/20	2600/3000	42/44	134/160	79/94	6.8/8.8	
RAM1238S2(P5B)		100~125	50/60	0.25	15/14	2400/2700	40/43	127/141	75/83	5.2/6.5	
RAL1238S2(P5B)		100~125	50/60	0.20	10/9	2000/2400	36/40	104/127	61/75	2.8/4.2	
RAH1238B1(P5B)	Ball	220~240	50/60	0.20	23/20	2600/3000	42/44	134/160	79/94	6.8/8.8	
RAM1238B1(P5B)		220~240	50/60	0.16	15/14	2400/2700	40/43	127/141	75/83	5.2/6.5	
RAL1238B1(P5B)		220~240	50/60	0.10	10/9	2000/2400	36/40	104/127	61/75	2.8/4.2	
RAH1238B2(P5B)		100~125	50/60	0.30	23/20	2600/3000	42/44	134/160	79/94	6.8/8.8	
RAM1238B2(P5B)		100~125	50/60	0.25	15/14	2400/2700	40/43	127/141	75/83	5.2/6.5	
RAL1238B2(P5B)		100~125	50/60	0.20	10/9	2000/2400	36/40	104/127	61/75	2.8/4.2	



Key
 — 60Hz
 — 50Hz

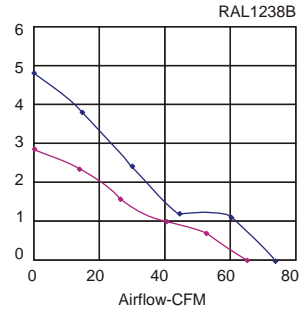
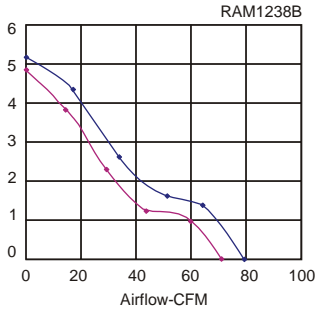
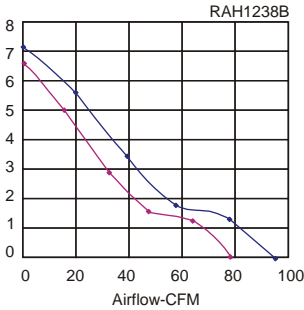
AC 1238 SERIES AXIAL FAN



Size: 120mmx120mmx38mm
 Airflow: 110~163m³/hr
 65~96CFM
 Weight: 620g
 Noise: 37~45dBA
 Impeller: Metallic
 Frame: Aluminium Alloy
 Terminals: 0.5mm
 Lead Wire: AWG#22 UL 1007
 (Optional)
 Motor: Shaded Pole Induction Motor
 Safety: UL.CUL.TUV.CE
 Operation Temperature: -10°C~+70°C

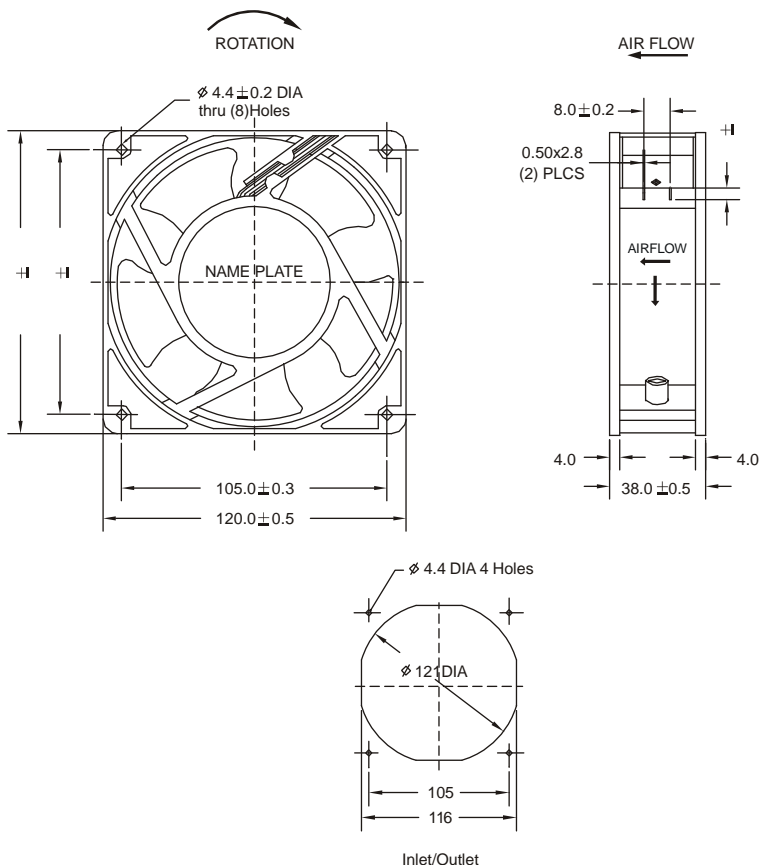
Unit:mm

Model	Bearing System	Voltage VAC	Freq. Hz	Current A	Power W	Speed RPM	Noise dBA	Air Flow		Static Pressure (mmH O)	Weight Gram
								M /hr	CFM		
RAH1238B1(5BM)	Ball	220~240	50/60	0.20	23/20	2600/3000	41/45	134/163	79/96	6.6/7.0	620
RAM1238B1(5BM)		220~240	50/60	0.16	15/14	2400/2700	39/43	126/139	74/82	4.9/5.1	
RAL1238B1(5BM)		220~240	50/60	0.10	10/9	2100/2400	37/39	110/126	65/74	2.8/4.9	
RAH1238B2(5BM)		100~125	50/60	0.30	23/20	2600/3000	41/45	134/163	79/96	6.6/7.0	
RAM1238B2(5BM)		100~125	50/60	0.25	15/14	2400/2700	39/43	126/139	74/82	4.9/5.1	
RAL1238B2(5BM)		100~125	50/60	0.20	10/9	2100/2400	37/39	110/126	65/74	2.8/4.9	



Key
 — 60Hz
 — 50Hz

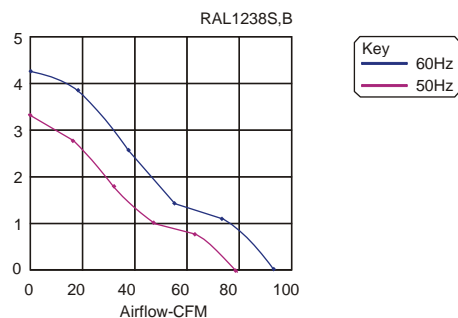
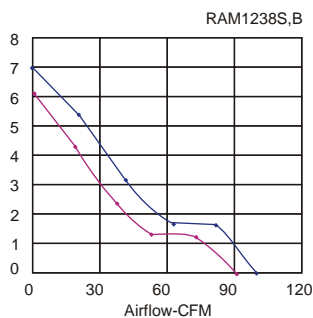
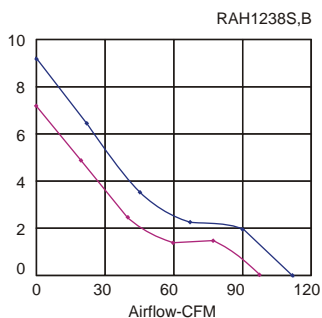
AC 1238 SERIES AXIAL FAN



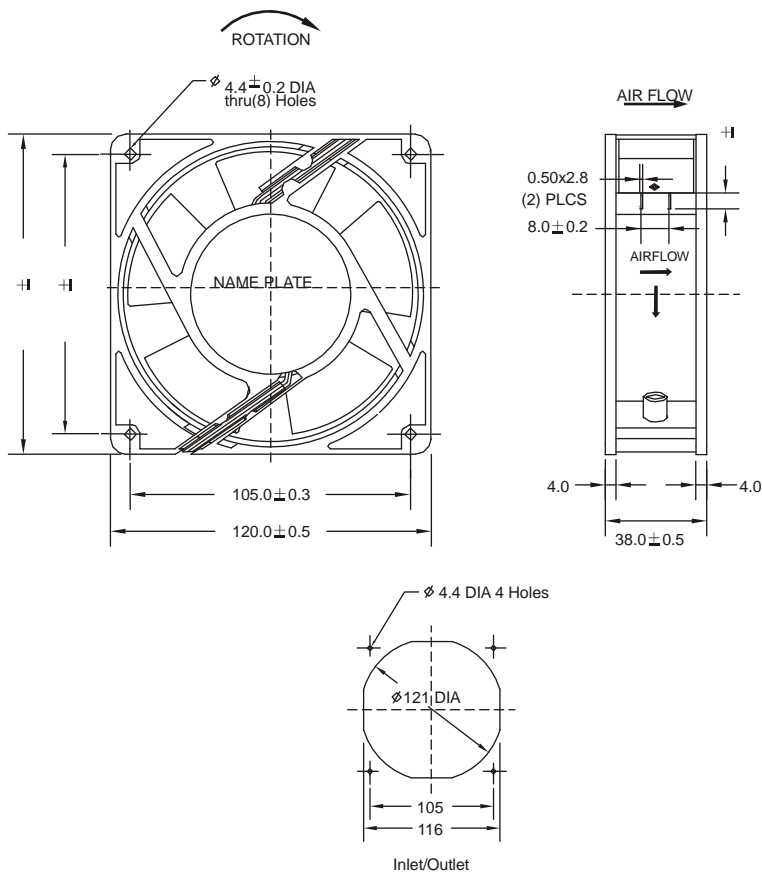
Size: 120mmx120mmx38mm
 Airflow: 133 ~ 189m³/hr
 78 ~ 111CFM
 Weight: 560g
 Noise: 35 ~ 44dBA
 Impeller: PBT UL94V-0 Reinforced Plastic
 Frame: Aluminum Alloy
 Terminals: 0.5mm
 Lead Wire: AWG#22 UL 1007
 (Optional)
 Motor: Shaded Pole Induction Motor
 Safety: UL.CUL.TUV.CE
 Operation Temperature: -10°C~+70°C

Unit:mm

Model	Bearing System	Voltage VAC	Freq. Hz	Current A	Power W	Speed RPM	Noise dBA	Air Flow		Static Pressure (mmH O)	Weight Gram
								M /hr	CFM		
RAH1238S1(7B)	Sleeve	220~240	50/60	0.20	28/24	2600/3000	39/44	165/189	97/111	7.4/9.3	560
RAM1238S1(7B)		220~240	50/60	0.16	16/15	2450/2700	38/42	155/170	91/100	6.2/7.0	
RAL1238S1(7B)		220~240	50/60	0.10	12/11	2100/2450	35/40	133/155	78/91	3.5/4.3	
RAH1238S2(7B)		100~125	50/60	0.30	29/24	2600/3000	39/44	165/189	97/111	7.4/9.3	
RAM1238S2(7B)		100~125	50/60	0.25	19/17	2450/2700	38/42	155/170	91/100	6.2/7.0	
RAL1238S2(7B)		100~125	50/60	0.20	14/13	2100/2450	35/40	133/155	78/91	3.5/4.3	
RAH1238B1(7B)	Ball	220~240	50/60	0.20	28/24	2600/3000	40/44	165/189	97/111	7.4/9.3	
RAM1238B1(7B)		220~240	50/60	0.16	16/15	2450/2700	39/42	155/170	91/100	6.2/7.0	
RAL1238B1(7B)		220~240	50/60	0.10	12/11	2100/2450	35/38	133/155	78/91	3.5/4.3	
RAH1238B2(7B)		100~125	50/60	0.30	29/24	2600/3000	40/44	165/189	97/111	7.4/9.3	
RAM1238B2(7B)		100~125	50/60	0.25	19/17	2450/2700	39/42	155/170	91/100	6.2/7.0	
RAL1238B2(7B)		100~125	50/60	0.20	14/13	2100/2450	35/38	133/155	78/91	3.5/4.3	



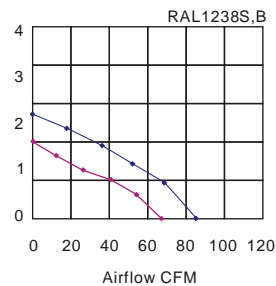
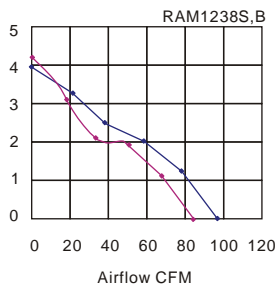
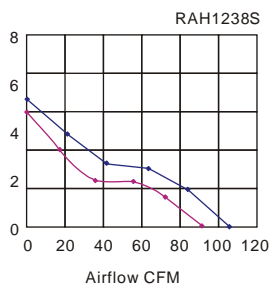
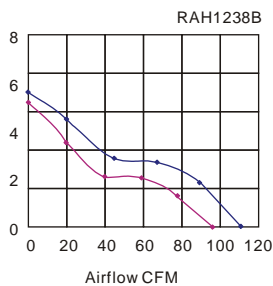
AC 1238 SERIES AXIAL FAN (Reverse)



Size: 120mmx120mmx38mm
Airflow: 119~192m³/hr
 70~113CFM
Weight: 540g
Noise: 35~50dBA
Impeller: PBT UL94V-0 Reinforced Plastic
Frame: Aluminum Alloy
Terminals: 0.5mm
Lead Wire: AWG#22 UL 1430
 (Optional)
Motor: Shaded Pole Induction Motor
Safety: UL.CUL.TUV.CE
Operation Temperature: -10°C~+70°C

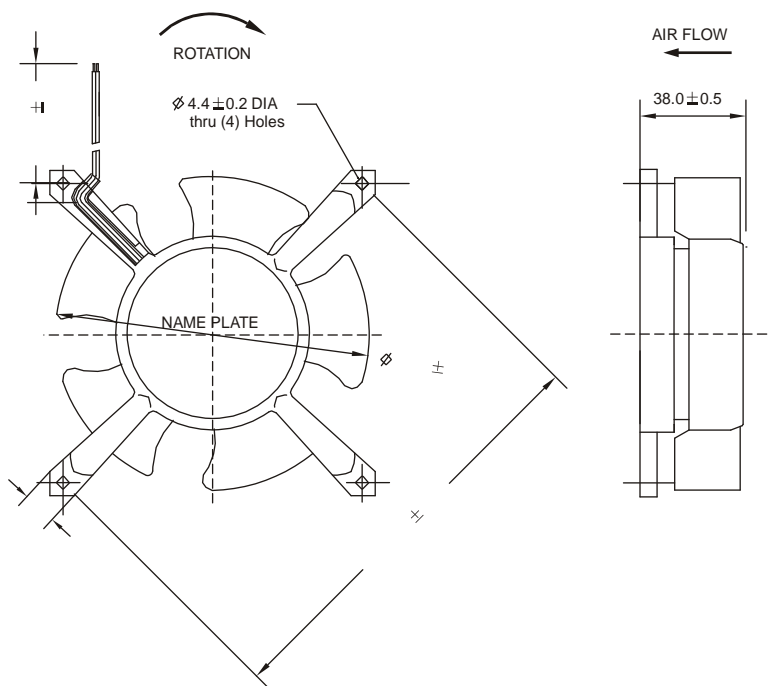
Unit:mm

Model	Bearing System	Voltage VAC	Freq. Hz	Current A	Power W	Speed RPM	Noise dBA	Air Flow		Static Pressure (mm H ₂ O)	Weight Gram
								M ³ /hr	CFM		
RAH1238S1	Sleeve	220~240	50/60	0.20	22/19	2600/2900	43/46	153/170	90/100	5.9/6.3	540
RAM1238S1		220~240	50/60	0.16	15/17	2450/2700	41/44	143/161	84/95	4.1/4.0	
RAL1238S1		220~240	50/60	0.10	10/12	2100/2400	35/40	119/143	70/84	2.1/2.7	
RAH1238S2		100~125	50/60	0.30	22/19	2600/2900	43/46	153/170	90/100	5.8/5.4	
RAM1238S2		100~125	50/60	0.25	15/17	2450/2700	41/44	143/161	84/95	4.1/4.0	
RAL1238S2		100~125	50/60	0.20	10/12	2100/2400	35/40	119/143	70/84	2.1/2.7	
RAH1238B1	Ball	220~240	50/60	0.20	22/19	2750/3150	46/50	164/192	96.5/113	6.7/7.0	
RAM1238B1		220~240	50/60	0.16	15/17	2450/2700	41/44	143/161	84/95	4.1/4.0	
RAL1238B1		220~240	50/60	0.10	10/12	2100/2400	35/40	119/143	70/84	2.1/2.7	
RAH1238B2		100~125	50/60	0.30	22/19	2750/3150	46/50	164/192	96.5/113	5.1/5.0	
RAM1238B2		100~125	50/60	0.25	15/17	2450/2700	41/44	143/161	84/95	4.1/4.0	
RAL1238B2		100~125	50/60	0.20	10/12	2100/2400	35/40	119/143	70/84	2.1/2.7	



Key
 — 60Hz
 — 50Hz

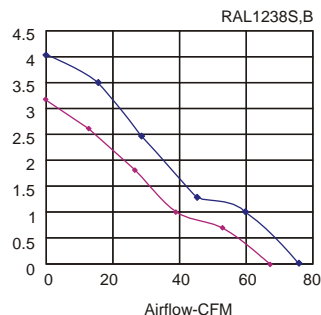
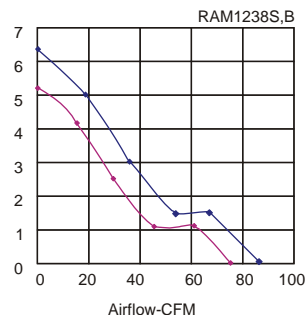
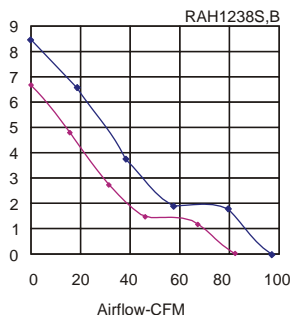
AC 1238 SERIES AXIAL FAN



Size: 148mmx148mmx38mm
Airflow: 114~163m³/hr
 67~96CFM
Weight: 390g
Noise: 35~44dBA
Impeller: PBT UL94V-0 Reinforced Plastic
Frame: Aluminum Alloy
Terminals: 0.5mm
Lead Wire: AWG#22 UL 1007
 (Optional)
Motor: Shaded Pole Induction Motor
Safety: UL.CUL.TUV.CE
Operation Temperature: -10°C~+70°C

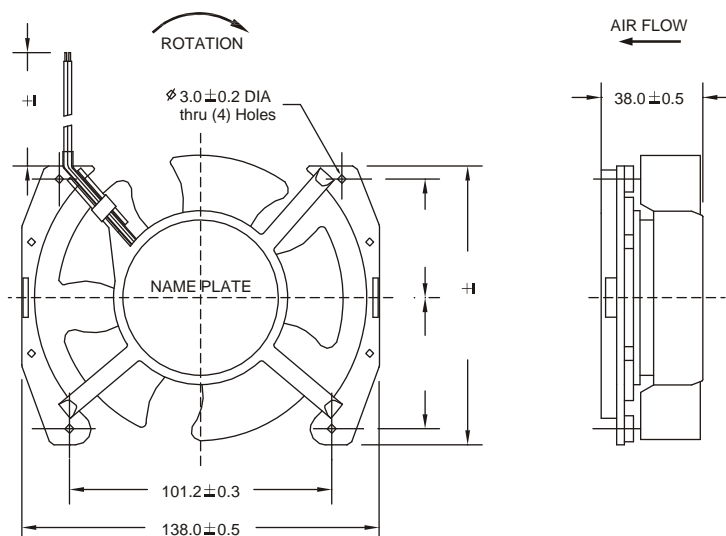
Unit:mm

Model	Bearing System	Voltage VAC	Freq. Hz	Current A	Power W	Speed RPM	Noise dBA	Air Flow		Static Pressure (mmH ₂ O)	Weight Gram
								M /hr	CFM		
RAH1238S1(5A)	Sleeve	220~240	50/60	0.20	23/20	2600/3000	40/43	139/163	82/96	6.8/8.5	390
RAM1238S1(5A)		220~240	50/60	0.16	15/14	2400/2700	39/42	127/144	75/85	5.3/6.3	
RAL1238S1(5A)		220~240	50/60	0.10	10/9	2100/2400	35/39	114/127	67/75	3.1/4.1	
RAH1238S2(5A)		100~125	50/60	0.30	23/20	2600/3000	40/43	139/163	82/96	6.8/8.5	
RAM1238S2(5A)		100~125	50/60	0.25	15/14	2400/2700	39/42	127/144	75/85	5.3/6.3	
RAL1238S2(5A)		100~125	50/60	0.20	10/9	2100/2400	35/39	114/127	67/75	3.1/4.1	
RAH1238B1(5A)	Ball	220~240	50/60	0.20	23/20	2600/3000	41/44	139/163	82/96	6.8/8.5	
RAM1238B1(5A)		220~240	50/60	0.16	15/14	2400/2700	39/42	127/144	75/85	5.3/6.3	
RAL1238B1(5A)		220~240	50/60	0.10	10/9	2100/2400	35/39	114/127	67/75	3.1/4.1	
RAH1238B2(5A)		100~125	50/60	0.30	23/20	2600/3000	41/44	139/163	82/96	6.8/8.5	
RAM1238B2(5A)		100~125	50/60	0.25	15/14	2400/2700	39/42	127/144	75/85	5.3/6.3	
RAL1238B2(5A)		100~125	50/60	0.20	10/9	2100/2400	35/39	114/127	67/75	3.1/4.1	



Key
 — 60Hz
 — 50Hz

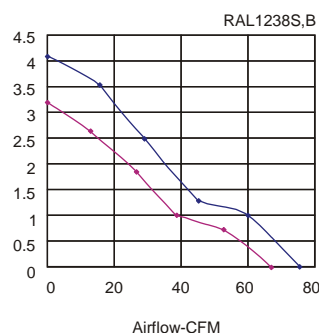
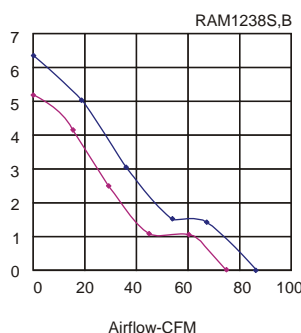
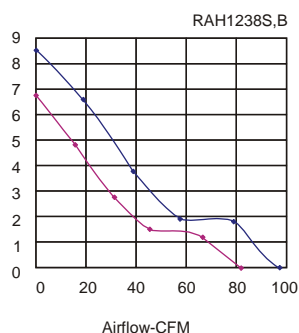
AC 1238 SERIES AXIAL FAN



Size: 130mmx108mmx38mm
Airflow: 114~163m³/hr
 67~96CFM
Weight: 420g
Noise: 35~45dBA
Impeller: PBT UL94V-0 Reinforced Plastic
Frame: Aluminum Alloy
Terminals: 0.5mm
Lead Wire: AWG#22 UL 1007
 (Optional)
Motor: Shaded Pole Induction Motor
Safety: UL.CUL.TUV.CE
Operation Temperature: -10°C~+70°C

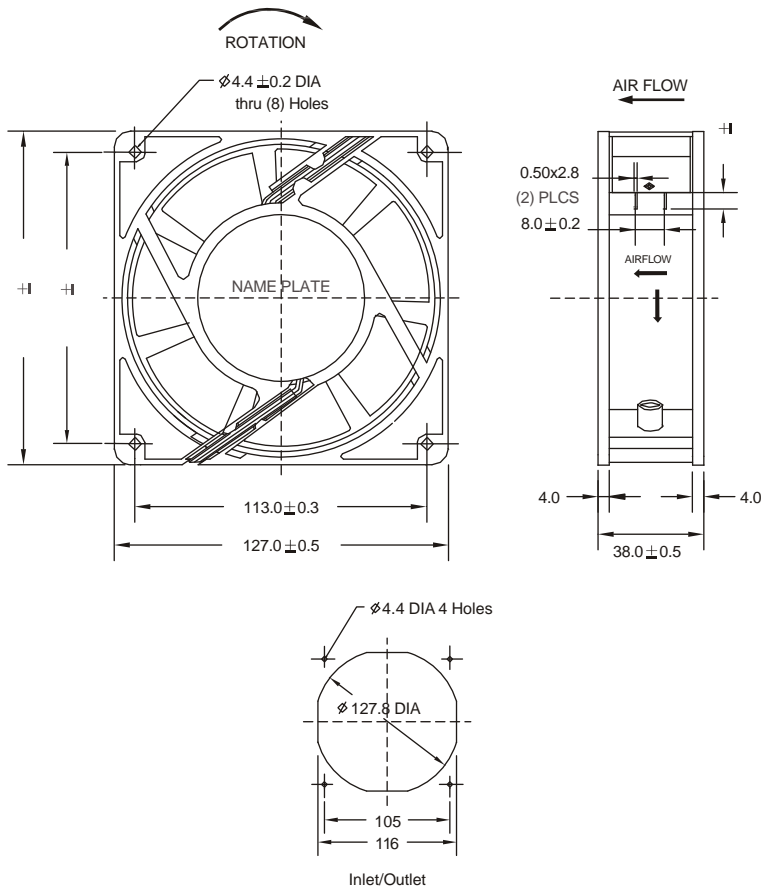
Unit:mm

Model	Bearing System	Voltage VAC	Freq. Hz	Current A	Power W	Speed RPM	Noise dBA	Air Flow		Static Pressure (mm H ₂ O)	Weight Gram
								M /hr	CFM		
RAH1238S1(5C)	Sleeve	220~240	50/60	0.20	23/20	2600/3000	40/43	139/163	82/96	6.8/8.5	420
RAM1238S1(5C)		220~240	50/60	0.16	15/14	2400/2700	39/42	127/144	75/85	5.3/6.3	
RAL1238S1(5C)		220~240	50/60	0.10	10/9	2100/2400	35/39	114/127	67/75	3.1/4.1	
RAH1238S2(5C)		100~125	50/60	0.30	23/20	2600/3000	40/43	139/163	82/96	6.8/8.5	
RAM1238S2(5C)		100~125	50/60	0.25	15/14	2400/2700	39/42	127/144	75/85	5.3/6.3	
RAL1238S2(5C)		100~125	50/60	0.20	10/9	2100/2400	35/39	114/127	67/75	3.1/4.1	
RAH1238B1(5C)	Ball	220~240	50/60	0.20	23/20	2600/3000	41/44	139/163	82/96	6.8/8.5	
RAM1238B1(5C)		220~240	50/60	0.16	15/14	2400/2700	39/42	127/144	75/85	5.3/6.3	
RAL1238B1(5C)		220~240	50/60	0.10	10/9	2100/2400	35/39	114/127	67/75	3.1/4.1	
RAH1238B2(5C)		100~125	50/60	0.30	23/20	2600/3000	41/44	139/163	82/96	6.8/8.5	
RAM1238B2(5C)		100~125	50/60	0.25	15/14	2400/2700	39/42	127/144	75/85	5.3/6.3	
RAL1238B2(5C)		100~125	50/60	0.20	10/9	2100/2400	35/39	114/127	67/75	3.1/4.1	



Key
 — 60Hz
 — 50Hz

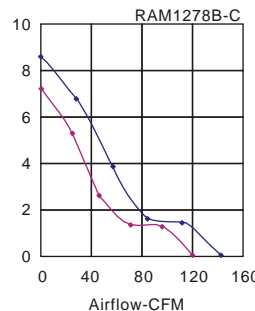
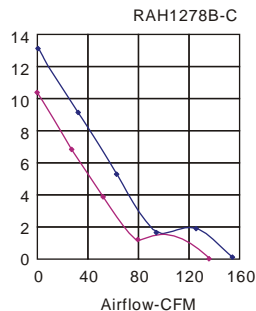
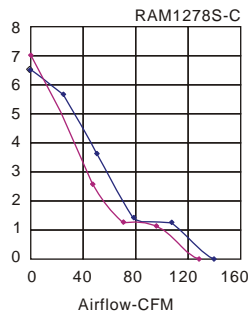
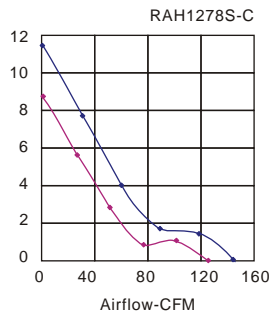
AC 1278 SERIES AXIAL FAN (High Air Flow)



Size: 127mmx127mmx38mm
 Airflow: 199~257m³/hr
 117~151CFM
 Weight: 520g
 Noise: 42~49dBA
 Impeller: PA6 UL94V-0 Reinforced Plastic
 Frame: Aluminum Alloy
 Terminals: 0.5mm
 Lead Wire: AWG#22 UL 1007
 (Optional)
 Motor: Capacitor-Run Induction Motor
 Safety: UL.CUL.TUV.CE
 Operaton Temperature: -10°C~+60°C

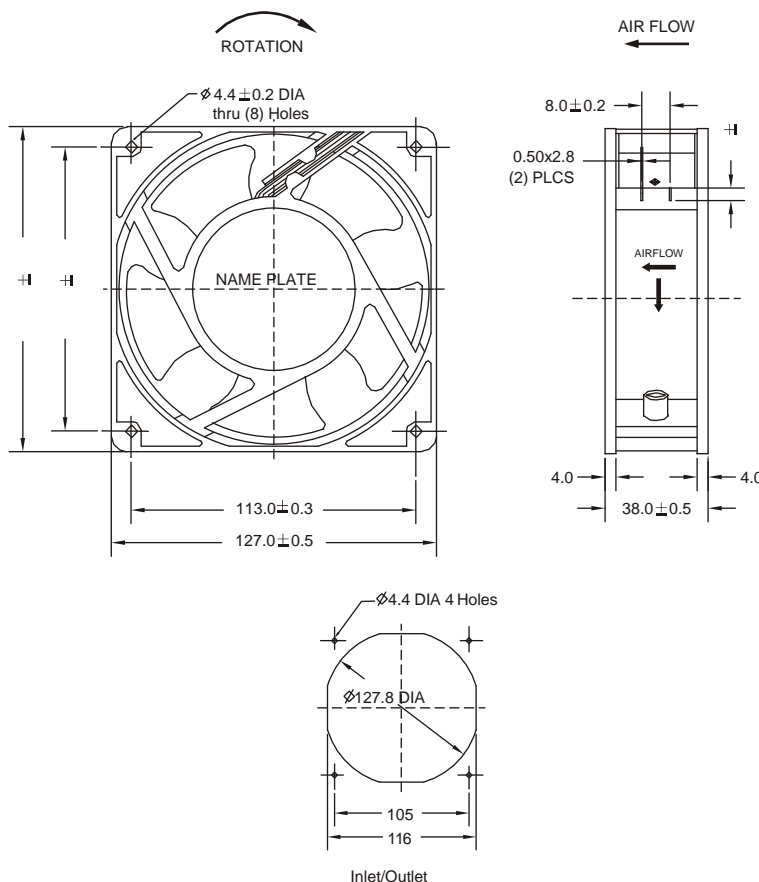
Unit:mm

Model	Bearing System	Voltage VAC	Freq. Hz	Current A	Power W	Speed RPM	Noise dBA	Air Flow		Static Pressure (mmH O)	Weight Gram
								M ³ /hr	CFM		
RAH1278S1-C	Sleeve	220~240	50/60	0.12/0.12	25/25	2600/3050	43/47	206/243	121/143	8.8/11.4	520
RAM1278S1-C		220~240	50/60	0.09/0.09	20/20	2500/2750	42/45	199/221	117/130	7.1/6.6	
RAH1278S2-C		100~125	50/60	0.21/0.21	25/25	2600/3050	43/47	206/243	121/143	8.8/11.4	
RAM1278S2-C		100~125	50/60	0.16/0.16	20/20	2500/2750	42/45	199/221	117/130	7.1/6.6	
RAH1278B1-C	Ball	220~240	50/60	0.12/0.12	25/25	2800/3300	45/49	224/257	132/151	10.3/13.0	
RAM1278B1-C		220~240	50/60	0.09/0.09	20/20	2500/2900	42/46	199/233	117/137	7.1/8.6	
RAH1278B2-C		100~125	50/60	0.21/0.21	25/25	2800/3300	45/49	224/257	132/151	10.3/13.0	
RAM1278B2-C		100~125	50/60	0.16/0.16	20/20	2500/2900	42/46	199/221	117/137	7.1/8.6	



Key
 — 60Hz
 — 50Hz

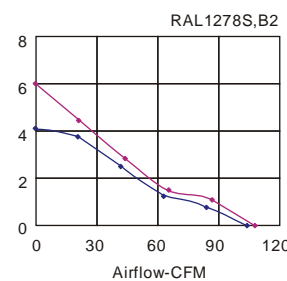
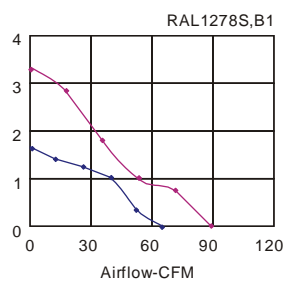
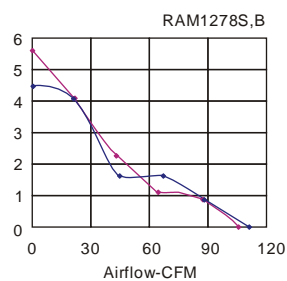
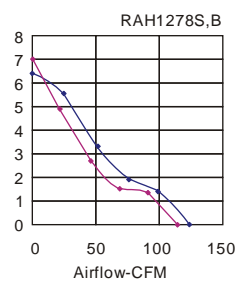
AC 1278 SERIES AXIAL FAN



Size: 127mmx127mmx38mm
Airflow: 110~205m³/hr
 65~121CFM
Weight: 540g
Noise: 30~46dBA
Impeller: PBT UL94V-0 Reinforced Plastic
Frame: Aluminum Alloy
Terminals: 0.5mm
Lead Wire: AWG#22 UL 1007
 (Optional)
Motor: Shaded Pole Induction Motor
Safety: UL.CUL.TUV.CE
Operaton Temperature: -10°C~+60°C

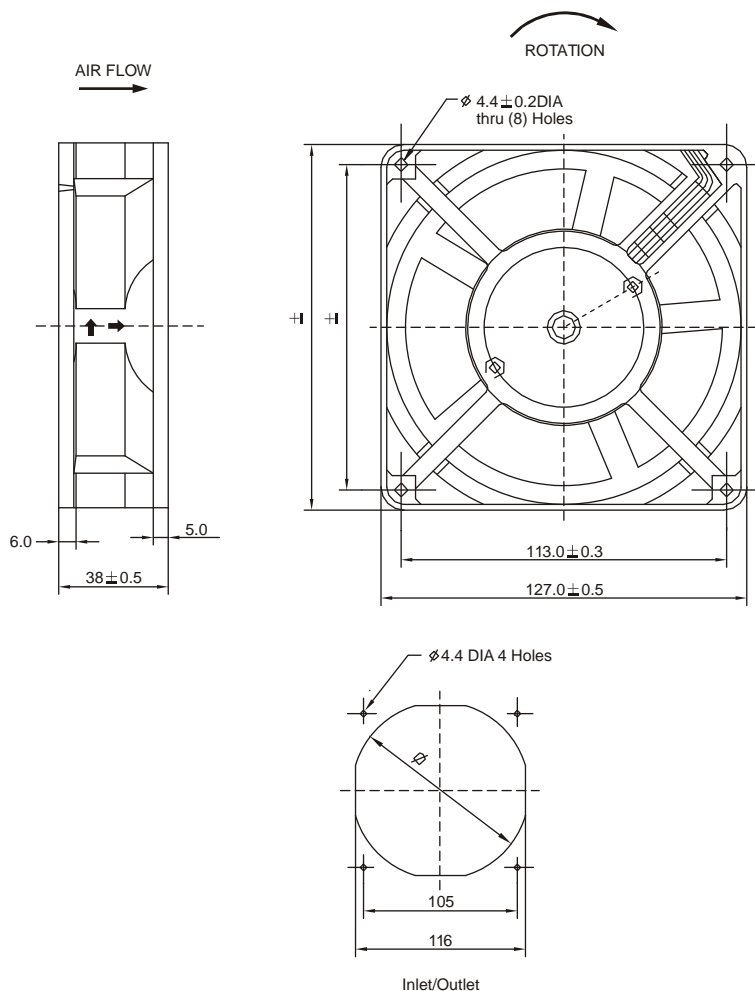
Unit:mm

Model	Bearing System	Voltage VAC	Freq. Hz	Current A	Power W	Speed RPM	Noise dBA	Air Flow		Static Pressure (mmH O)	Weight Gram
								M ³ /hr	CFM		
RAH1278S1	Sleeve	220~240	50/60	0.17/0.14	24/21	2500/2800	43/45	183/205	108/121	6.8/6.5	540
RAM1278S1		220~240	50/60	0.12/0.10	20/19	2350/2550	41/43	176/187	104/110	5.6/4.6	
RAL1278S1		220~240	50/60	0.08/0.07	12/11	2050/1450	39/30	153/110	90/65	3.4/1.7	
RAH1278S2		100~125	50/60	0.34/0.30	23/20	2500/2800	43/45	183/205	108/121	6.8/6.5	
RAM1278S2		100~125	50/60	0.29/0.26	20/19	2350/2550	41/43	176/187	104/110	5.6/4.6	
RAL1278S2		100~125	50/60	0.28/0.25	19/17	2400/2350	41/41	182/178	107/105	6.0/4.2	
RAH1278B1	Ball	220~240	50/60	0.17/0.14	24/21	2500/2800	44/46	183/205	108/121	6.8/6.5	
RAM1278B1		220~240	50/60	0.12/0.10	20/19	2350/2550	41/43	176/187	104/110	5.6/4.6	
RAL1278B1		220~240	50/60	0.08/0.07	12/11	2050/1450	39/30	153/110	90/65	3.4/1.7	
RAH1278B2		100~125	50/60	0.34/0.30	23/20	2500/2800	44/46	183/205	108/121	6.8/6.5	
RAM1278B2		100~125	50/60	0.29/0.26	20/19	2350/2550	41/43	176/187	104/110	5.6/4.6	
RAL1278B2		100~125	50/60	0.28/0.25	19/17	2400/2350	41/41	182/178	107/105	6.0/4.2	



Key
 — 60Hz
 — 50Hz

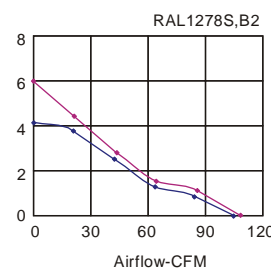
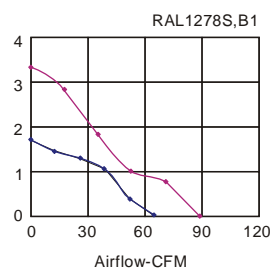
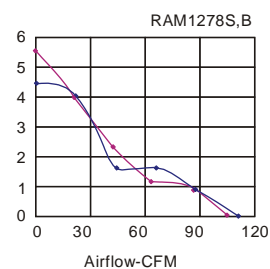
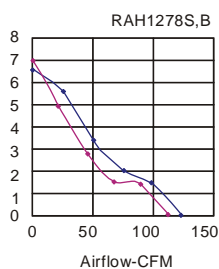
AC 1278 SERIES AXIAL FAN



Size: 127mmx127mmx38mm
Airflow: 110~205m³/hr
 65 ~ 121CFM
Weight: 460g
Noise: 30 ~ 46dBA
Impeller: PBT UL94V-0 Reinforced Plastic
Frame: PBT UL94V-0 Reinforced Plastic
Terminals: 0.5mm
Lead Wire: AWG#22 UL 1007
 (Optional)
Motor: Shaded Pole Induction Motor
Safety: UL.CUL.TUV.CE
Operaton Temperature: -10°C~+50°C

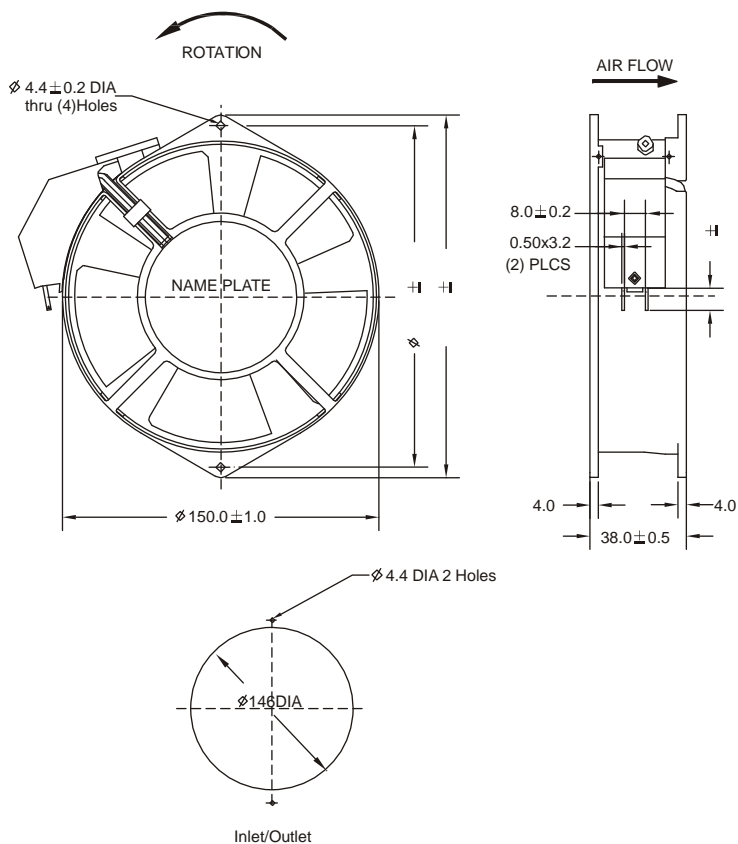
Unit:mm

Model	Bearing System	Voltage VAC	Freq. Hz	Current A	Power W	Speed RPM	Noise dBA	Air Flow		Static Pressure (mmH O)	Weight Gram
								M ³ /hr	CFM		
RAH1278S1(P5B)	Sleeve	220~240	50/60	0.17/0.14	24/21	2500/2800	43/45	183/205	108/121	6.8/6.5	460
RAM1278S1(P5B)		220~240	50/60	0.12/0.10	20/19	2350/2550	41/43	176/187	104/110	5.6/4.6	
RAL1278S1(P5B)		220~240	50/60	0.08/0.07	12/11	2050/1450	39/30	153/110	90/65	3.4/1.7	
RAH1278S2(P5B)		100~125	50/60	0.34/0.30	23/20	2500/2800	43/45	183/205	108/121	6.8/6.5	
RAM1278S2(P5B)		100~125	50/60	0.29/0.26	20/19	2350/2550	41/43	176/187	104/110	5.6/4.6	
RAL1278S2(P5B)		100~125	50/60	0.28/0.25	19/17	2400/2350	41/41	182/178	107/105	6.0/4.2	
RAH1278B1(P5B)		220~240	50/60	0.17/0.14	24/21	2500/2800	44/46	183/205	108/121	6.8/6.5	
RAM1278B1(P5B)	Ball	220~240	50/60	0.12/0.10	20/19	2350/2550	41/43	176/187	104/110	5.6/4.6	
RAL1278B1(P5B)		220~240	50/60	0.08/0.07	12/11	2050/1450	39/30	153/110	90/65	3.4/1.7	
RAH1278B2(P5B)		100~125	50/60	0.34/0.30	23/20	2500/2800	44/46	183/205	108/121	6.8/6.5	
RAM1278B2(P5B)		100~125	50/60	0.29/0.26	20/19	2350/2550	41/43	176/187	104/110	5.6/4.6	
RAL1278B2(P5B)		100~125	50/60	0.28/0.25	19/17	2400/2350	41/41	182/178	107/105	6.0/4.2	



Key
 — 60Hz
 — 50Hz

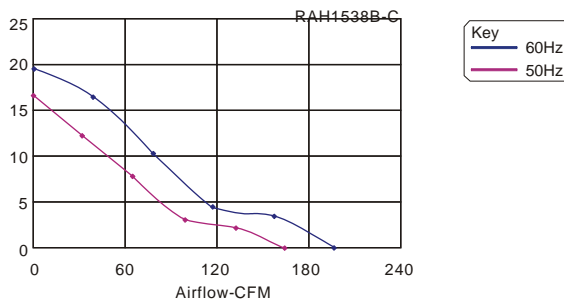
AC 1538 SERIES AXIAL FAN (High Air Flow)



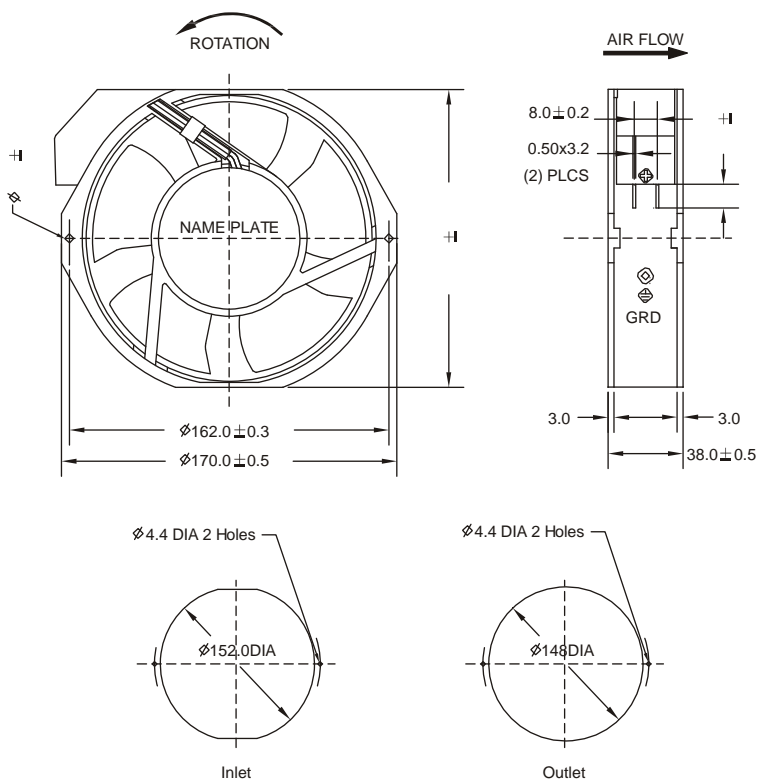
Size: 162mmx150mmx38mm
 Airflow: 282 ~ 336m³/hr
 166 ~ 198CFM
 Weight: 710g
 Noise: 57 ~ 61dBA
 Impeller: PA6 UL94V-0 Reinforced Plastic
 Frame: Aluminum Alloy
 Terminals: 0.5mm
 Lead Wire: AWG#22 UL 1015
 (Optional)
 Motor: Capacitor-Run Induction Motor
 Safety: UL.CUL.TUV.CE
 Operation Temperature: -10°C~+70 °C

Unit:mm

Model	Bearing System	Voltage VAC	Freq. Hz	Current A	Power W	Speed RPM	Noise dBA	Air Flow		Static Pressure (mmH O)	Weight Gram
								M ³ /hr	CFM		
RAH1538B1-C	Ball	220~240	50/60	0.16/0.17	36/35	2850/3400	57/61	282/336	166/198	16.7/19.5	710
RAH1538B2-C		100~125	50/60	0.25/0.26	30/31	2850/3400	57/61	282/336	166/198	16.7/19.5	



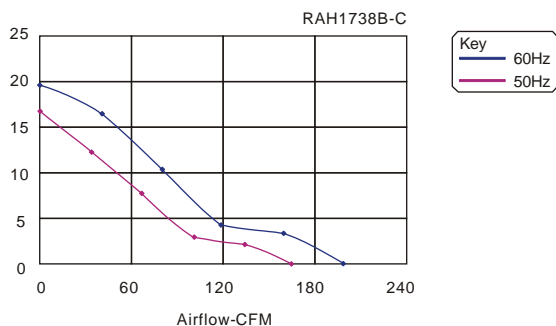
AC 1738 SERIES AXIAL FAN (High Air Flow)



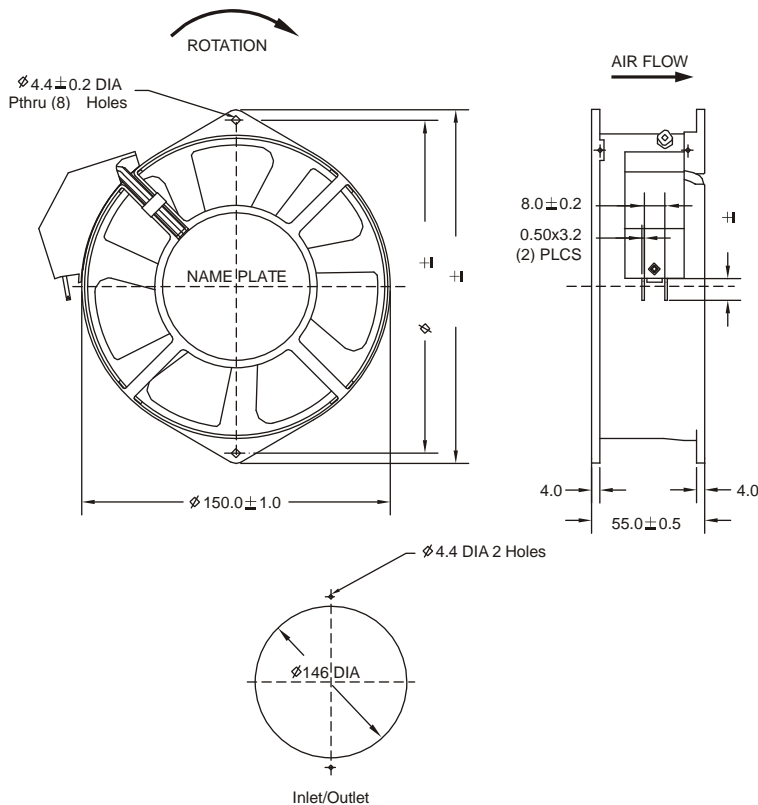
Size: 172mmx150mmx38mm
 Airflow: 282 ~ 336m³/hr
 166 ~ 198CFM
 Weight: 760g
 Noise: 57 ~ 61dBA
 Impeller: PA6 UL94V-0 Reinforced Plastic
 Frame: Aluminum Alloy
 Terminals: 0.5mm
 Lead Wire: AWG#22 UL 1015
 (Optional)
 Motor: Capacitor-Run Induction Motor
 Safety: UL.CUL.TUV.CE
 Operation Temperature: -10°C~+70°C

Unit:mm

Model	Bearing System	Voltage VAC	Freq. Hz	Current A	Power W	Speed RPM	Noise dBA	Air Flow		Static Pressure (mmH O)	Weight Gram
								M ³ /hr	CFM		
RAH1738B1-C	Ball	220~240	50/60	0.16/0.17	36/35	2850/3400	57/61	282/336	166/198	16.7/19.5	760
RAH1738B2-C		100~125	50/60	0.25/0.26	30/31	2850/3400	57/61	282/336	166/198	16.7/19.5	



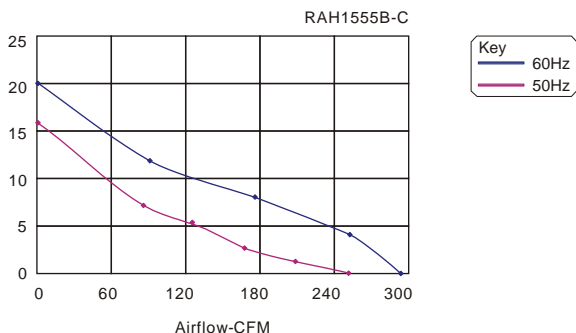
AC 1555 SERIES AXIAL FAN (High Air Flow)



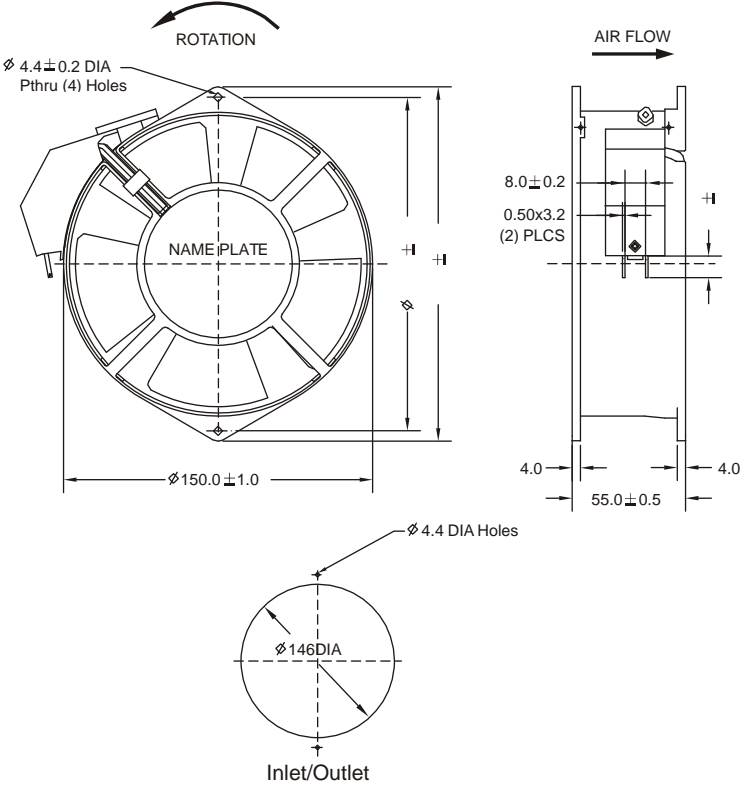
Size: 162mmx150mmx55mm
 Airflow: 425 ~ 498m³/hr
 250 ~ 293CFM
 Weight: 870g
 Noise: 57 ~ 61dBA
 Impeller: PA6 UL94V-0 Reinforced Plastic
 Frame: Aluminum Alloy
 Terminals: 0.5mm
 Lead Wire: AWG#22 UL 1015
 (Optional)
 Motor: Capacitor-Run Induction Motor
 Safety: UL.CUL.TUV.CE
 Operation Temperature: -10°C ~ +60°C

Unit:mm

Model	Bearing System	Voltage VAC	Freq. Hz	Current A	Power W	Speed RPM	Noise dBA	Air Flow		Static Pressure (mmH ₂ O)	Weight Gram
								M ³ /hr	CFM		
RAH1555B1-C	Ball	220~240	50/60	0.20/0.22	46/50	2850/3300	56/61	425/498	250/293	16.0/20.0	870
RAH1555B2-C		100~125	50/60	0.35/0.40	46/50	2850/3300	56/61	425/498	250/293	16.0/20.0	



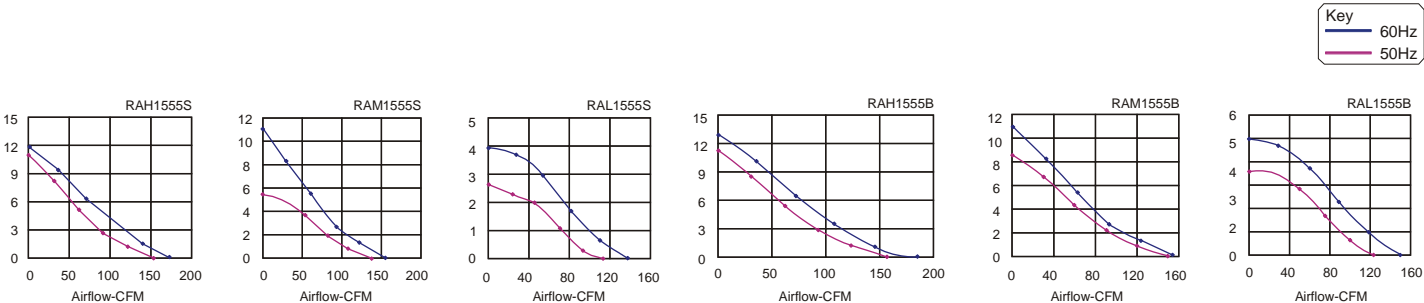
AC 1555 SERIES AXIAL FAN



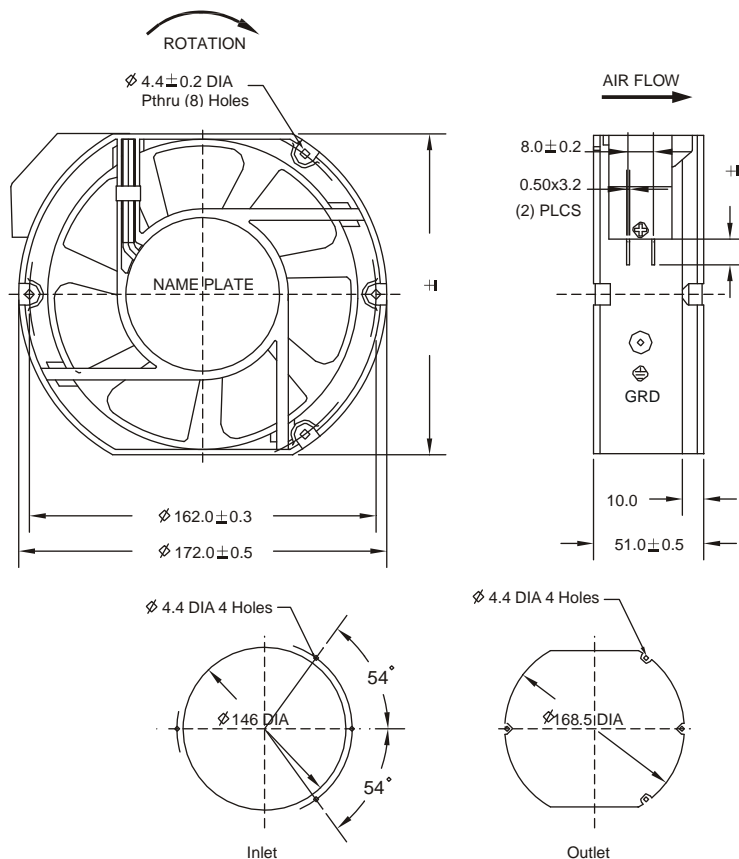
Size: 162mmx150mmx55mm
 Airflow: 195 ~ 308m³/hr
 123 ~ 181CFM
 Weight: 890g
 Noise: 43 ~ 56dBA
 Impeller: PBT UL94V-0 Reinforced Plastic
 Frame: Aluminium Alloy
 Terminals: 0.5mm
 Lead Wire: AWG#22 UL 1015
 (Optional)
 Motor: Shaded Pole Induction Motor
 Safety: UL.CUL.TUV.CE
 Operation Temperature: -10°C~+60°C

Unit:mm

Model	Bearing System	Voltage VAC	Freq. Hz	Current A	Power W	Speed RPM	Noise dBA	Air Flow		Static Pressure (mmH ₂ O)	Weight Gram
								M /hr	CFM		
RAH1555S1	Sleeve	220~240	50/60	0.40	47/41	2650/3000	51/55	257/292	151/172	11.0/11.8	890
RAM1555S1		220~240	50/60	0.30	28/27	2400/2700	48/51	232/260	137/153	5.5/11.0	
RAL1555S1		220~240	50/60	0.20	20/20	2000/2400	43/48	195/232	115/137	2.6/3.9	
RAH1555S2		100~125	50/60	0.60	47/41	2650/3000	51/55	257/292	151/172	11.0/11.8	
RAM1555S2		100~125	50/60	0.50	28/27	2400/2700	48/51	232/260	137/153	5.5/11.0	
RAL1555S2		100~125	50/60	0.40	20/20	2000/2400	43/48	195/232	115/137	2.6/3.9	
RAH1555B1	Ball	220~240	50/60	0.40	47/41	2700/3100	52/56	263/308	155/181	11.6/13.3	
RAM1555B1		220~240	50/60	0.30	28/27	2500/2700	50/52	253/260	149/153	8.6/11.0	
RAL1555B1		220~240	50/60	0.20	20/20	2100/2500	45/50	209/253	123/149	3.6/4.9	
RAH1555B2		100~125	50/60	0.60	47/41	2700/3100	52/56	263/308	155/181	11.6/13.3	
RAM1555B2		100~125	50/60	0.50	28/27	2500/2700	50/52	253/260	149/153	8.6/11.0	
RAL1555B2		100~125	50/60	0.40	20/20	2100/2500	45/50	209/253	123/149	3.6/4.9	



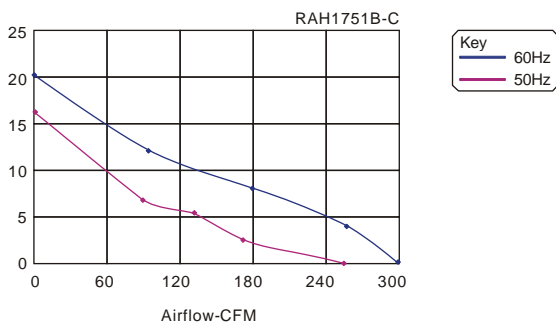
AC 1751 SERIES AXIAL FAN (High Air Flow)



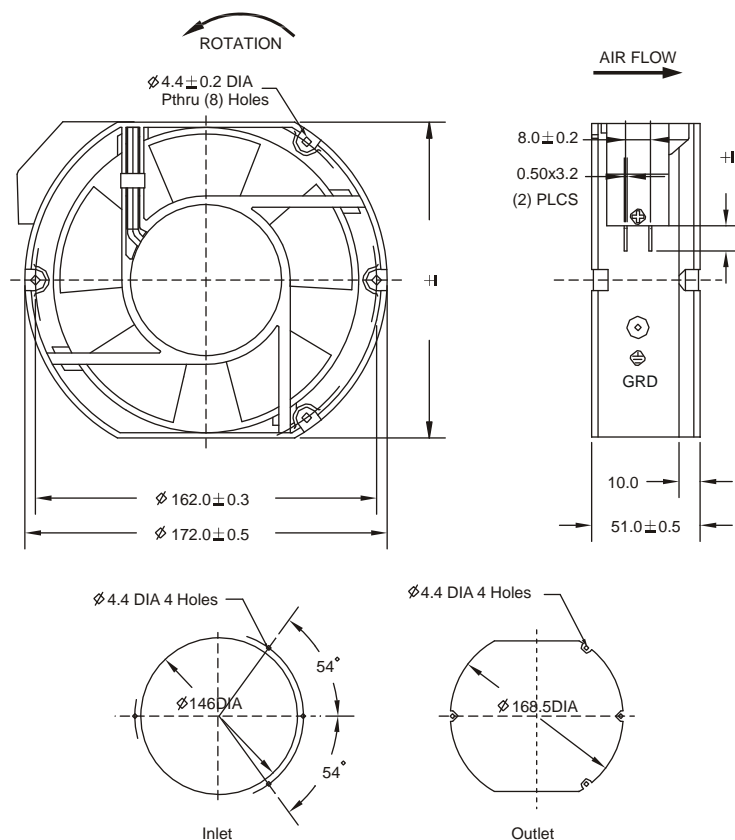
Size: 172mmx150mmx51mm
 Airflow: 425 ~ 498m³/hr
 250 ~ 293CFM
 Weight: 970g
 Noise: 56 ~ 61dBA
 Impeller: PA6 UL94V-0 Reinforced Plastic
 Frame: Aluminum Alloy
 Terminals: 0.5mm
 Lead Wire: AWG#22 UL 1015
 (Optional)
 Motor: Capacitor-Run Induction Motor
 Safety: UL.CUL.TUV.CE
 Operation Temperature: -10°C ~ +60°C

Unit:mm

Model	Bearing System	Voltage VAC	Freq. Hz	Current A	Power W	Speed RPM	Noise dBA	Air Flow		Static Pressure (mmH O)	Weight Gram
								M ³ /hr	CFM		
RAH1751B1-C	Ball	220~240	50/60	0.20/0.22	46/50	2850/3300	56/61	425/498	250/293	16.0/20.0	970
RAH1751B2-C		100~125	50/60	0.35/0.40	46/50	2850/3300	56/61	425/498	250/293	16.0/20.0	



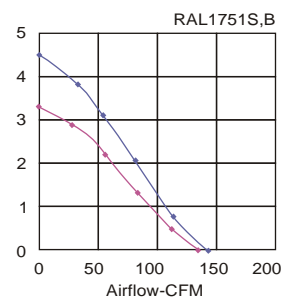
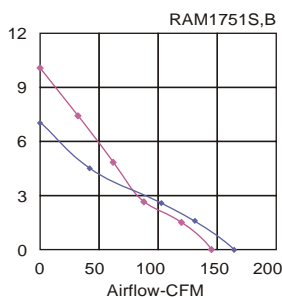
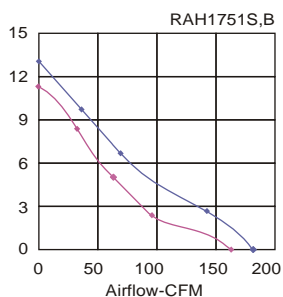
AC 1751 SERIES AXIAL FAN



Size: 172mmx150mmx51mm
Airflow: 233 ~ 306m³/hr
 137 ~ 180CFM
Weight: 880g
Noise: 45 ~ 55dBA
Impeller: PA6 UL94V-0 Reinforced Plastic
Frame: Aluminium Alloy
Terminals: 0.5mm
Lead Wire: AWG#22 UL 1015
 (Optional)
Motor: Shaded Pole Induction Motor
Safety: UL.CUL.TUV.CE
Operation Temperature: -10°C~+60°C

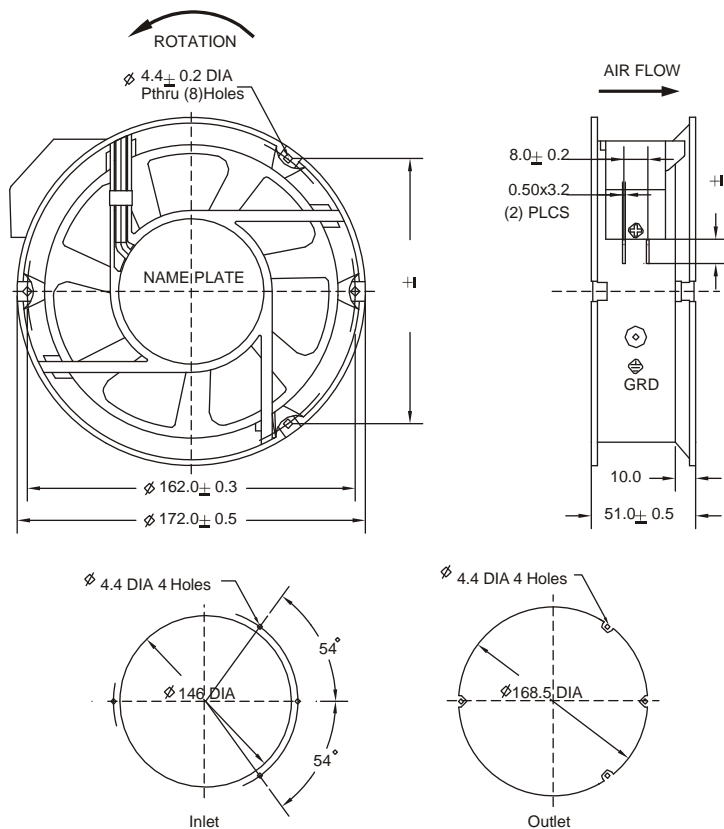
Unit:mm

Model	Bearing System	Voltage VAC	Freq. Hz	Current A	Power W	Speed RPM	Noise dBA	Air Flow		Static Pressure (mmH ₂ O)	Weight Gram
								M ³ /hr	CFM		
RAH1751S1	Sleeve	220~240	50/60	0.40	47/41	2700/3000	51/55	272/306	160/180	11.3/13	880
RAM1751S1		220~240	50/60	0.30	28/27	2500/2700	49/51	252/272	148/160	9.9/7.0	
RAL1751S1		220~240	50/60	0.20	20/20	2200/2400	45/47	233/240	137/141	3.4/4.6	
RAH1751S2		100~125	50/60	0.60	47/41	2700/3000	51/55	272/306	160/180	11.3/13	
RAM1751S2		100~125	50/60	0.50	28/27	2500/2700	49/51	252/272	148/160	9.9/7.0	
RAL1751S2		100~125	50/60	0.40	20/20	2000/2400	45/47	233/240	137/141	3.4/4.6	
RAH1751B1	Ball	220~240	50/60	0.40	47/41	2700/3000	51/55	272/306	160/180	11.3/13	
RAM1751B1		220~240	50/60	0.30	28/27	2500/2700	49/51	252/272	148/160	9.9/7.0	
RAL1751B1		220~240	50/60	0.20	20/20	2200/2400	45/47	233/240	137/141	3.4/4.6	
RAH1751B2		100~125	50/60	0.60	47/41	2700/3000	51/55	272/306	160/180	11.3/13	
RAM1751B2		100~125	50/60	0.50	28/27	2500/2700	49/51	252/272	148/160	9.9/7.0	
RAL1751B2		100~125	50/60	0.40	20/20	2200/2400	45/47	233/240	137/141	3.4/4.6	



Key
 — 60Hz
 — 50Hz

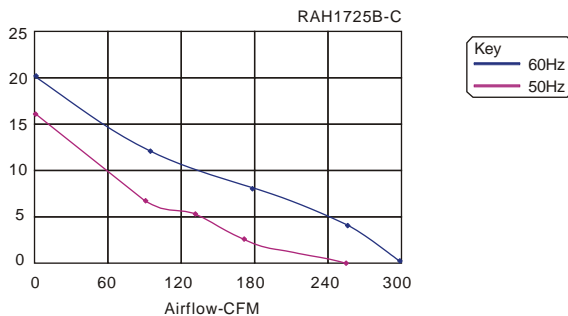
AC 1725 SERIES AXIAL FAN (High Air Flow)



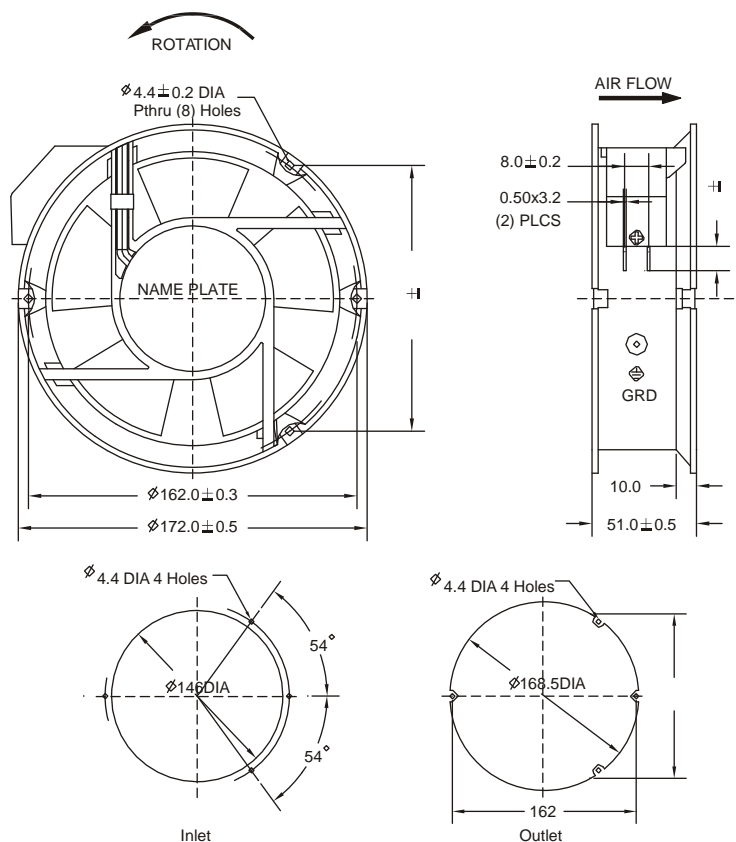
Size: $\phi 172\text{mm} \times 51\text{mm}$
 Airflow: $425 \sim 498\text{m}^3/\text{hr}$
 $250 \sim 293\text{CFM}$
 Weight: 1000g
 Noise: 56 ~ 61dBA
 Impeller: PA6 UL94V-0 Reinforced Plastic
 Frame: Aluminum Alloy
 Terminals: 0.5mm
 Lead Wire: AWG#22 UL 1015
 (Optional)
 Motor: Capacitor-Run Induction Motor
 Safety: UL.CUL.TUV.CE
 Operation Temperature: $-10^\circ\text{C} \sim +60^\circ\text{C}$

Unit:mm

Model	Bearing System	Voltage VAC	Freq. Hz	Current A	Power W	Speed RPM	Noise dBA	Air Flow		Static Pressure (mmH ₂ O)	Weight Gram
								M ³ /hr	CFM		
RAH1725B1-C	Ball	220~240	50/60	0.20/0.22	46/50	2850/3300	56/61	425/498	250/293	16.0/20.0	1000
RAH1725B2-C		100~125	50/60	0.35/0.40	46/50	2850/3300	56/61	425/498	250/293	16.0/20.0	



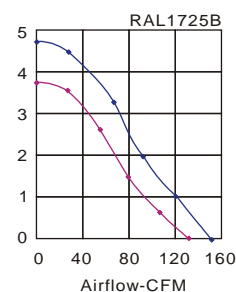
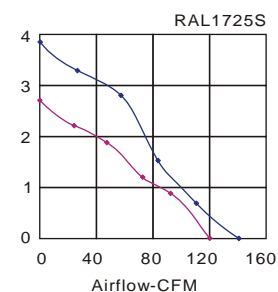
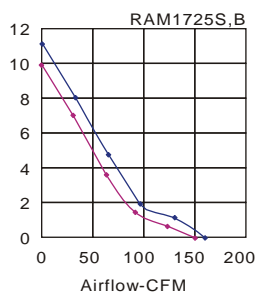
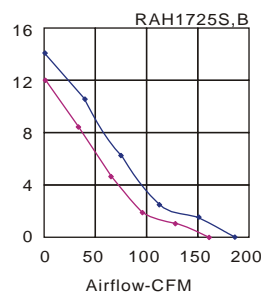
AC 1725 SERIES AXIAL FAN



Size: $\phi 172\text{mm} \times 51\text{mm}$
Airflow: 204 ~ 318m³/hr
 120 ~ 187CFM
Weight: 955g
Noise: 42 ~ 55dBA
Impeller: PBT UL94V-0 Reinforced Plastic
Frame: Aluminium Alloy
Terminals: 0.5mm
Lead Wire: AWG#22 UL 1015
 (Optional)
Motor: Shaded Pole Induction Motor
Safety: UL.CUL.TUV.CE
Operation Temperature: -10°C ~ +60°C

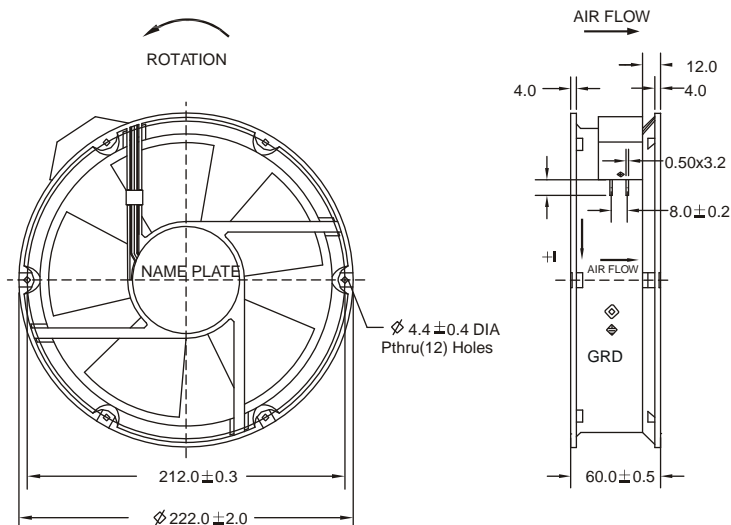
Unit:mm

Model	Bearing System	Voltage VAC	Freq. Hz	Current A	Power W	Speed RPM	Noise dBA	Air Flow		Static Pressure (mm H ₂ O)	Weight Gram
								M ³ /hr	CFM		
RAH1725S1	Sleeve	220~240	50/60	0.40	47/41	2700/3100	51/55	275/318	162/187	12.0/14.0	955
RAM1725S1		220~240	50/60	0.30	28/27	2500/2700	49/51	258/275	152/162	9.8/11.0	
RAL1725S1		220~240	50/60	0.20	20/20	2000/2300	42/46	204/241	120/142	2.6/3.8	
RAH1725S2		100~125	50/60	0.60	47/41	2700/3000	51/55	275/318	162/187	12.0/14.0	
RAM1725S2		100~125	50/60	0.50	28/27	2500/2700	49/51	258/275	152/162	9.8/11.0	
RAL1725S2		100~125	50/60	0.40	20/20	2000/2300	42/46	204/241	120/142	2.6/3.8	
RAH1725B1	Ball	220~240	50/60	0.40	47/41	2700/3100	51/55	275/318	162/187	12.0/14.0	
RAM1725B1		220~240	50/60	0.30	28/27	2500/2700	49/51	258/275	152/162	9.8/11.0	
RAL1725B1		220~240	50/60	0.20	20/20	2200/2500	45/49	226/258	133/152	3.7/4.7	
RAH1725B2		100~125	50/60	0.60	47/41	2700/3100	51/55	275/318	162/187	12.0/14.0	
RAM1725B2		100~125	50/60	0.50	28/27	2500/2700	49/51	258/275	152/162	9.8/11.0	
RAL1725B2		100~125	50/60	0.40	20/20	2200/2500	45/49	226/258	133/152	3.7/4.7	

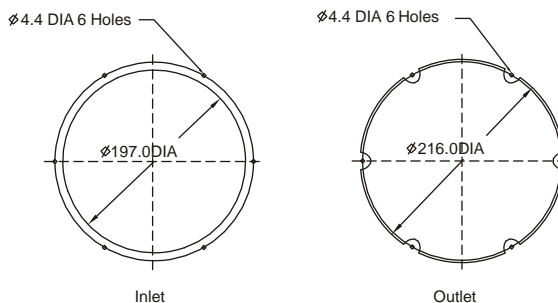


Key
 — 60Hz
 — 50Hz

AC 2260 SERIES AXIAL FAN (High Air Flow)

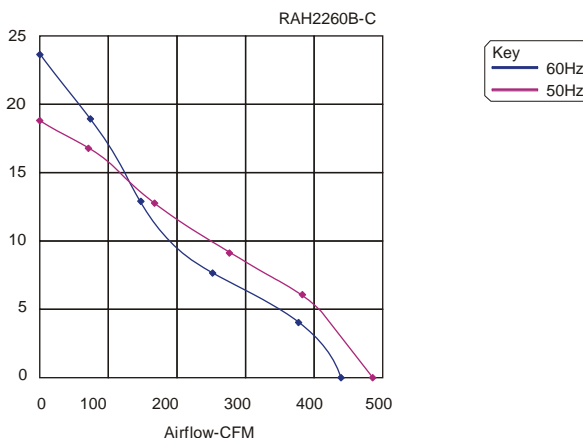


Size: $\varnothing 222\text{mm} \times 60\text{mm}$
 Airflow: 730 ~ 824 m³/hr
 430 ~ 485 CFM
 Weight: 1540g
 Noise: 59 ~ 62 dBA
 Impeller: PA6 UL94V-0 Reinforced Plastic
 Frame: Aluminum Alloy
 Terminals: 0.5mm
 Lead Wire: AWG#22 UL 1015
 (Optional)
 Motor: Capacitor-Run Induction Motor
 Safety: UL.CUL.TUV.CE
 Operation Temperature: -10 °C ~ +60 °C

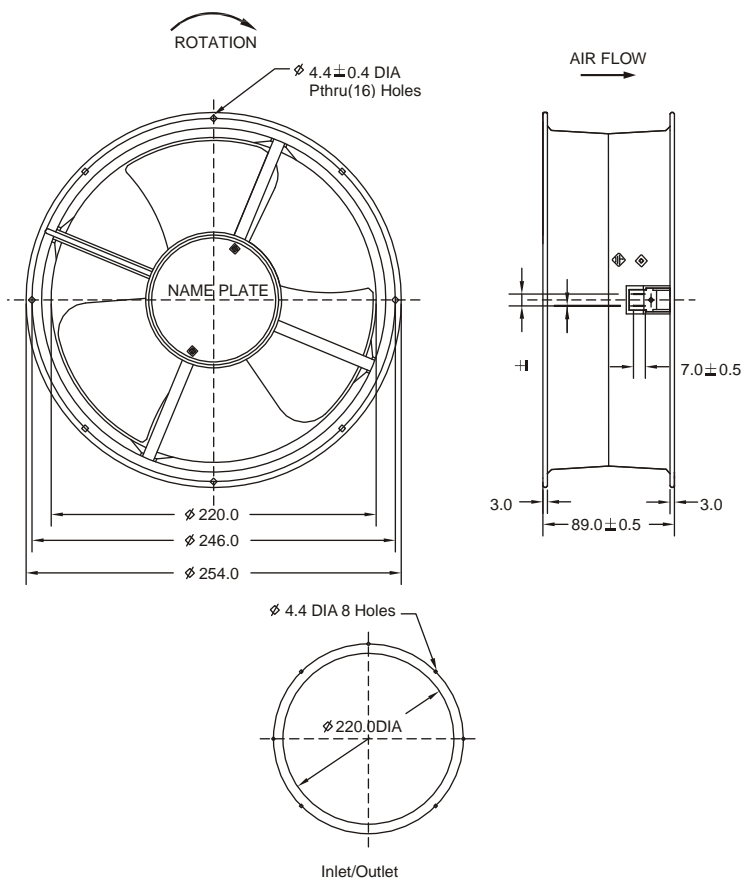


Unit:mm

Model	Bearing System	Voltage VAC	Freq. Hz	Current A	Power W	Speed RPM	Noise dBA	Air Flow		Static Pressure (mmH O)	Weight Gram
								M ³ /hr	CFM		
RAH2260B1-C	Ball	220~240	50/60	0.25/0.26	50/60	2800/3200	59/62	730/824	430/485	24/18	1540
RAH2260B2-C		100~125	50/60	0.42/0.46	50/56	2800/3200	59/62	730/824	430/485	24/18	



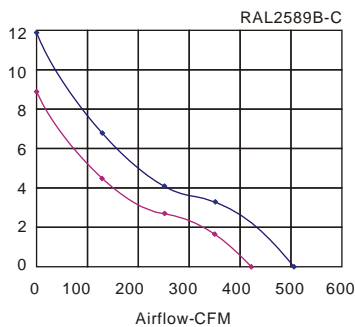
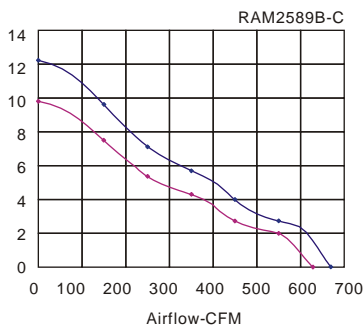
AC 2589 SERIES AXIAL FAN (High Air Flow)



Size: \varnothing 254mmx89mm
 Airflow: 718 ~ 1160m³/hr
 423 ~ 685CFM
 Weight: 2150g
 Noise: 52 ~ 60dBA
 Impeller: PA6 UL94V-0 Reinforced Plastic
 Frame: Aluminum Alloy
 Terminals: 0.5mm
 Lead Wire: AWG#22 UL 1015
 (Optional)
 Motor: Capacitor-Run Induction Motor
 Safety: UL.CUL.TUV.CE
 Operation Temperature: -10°C~+70°C

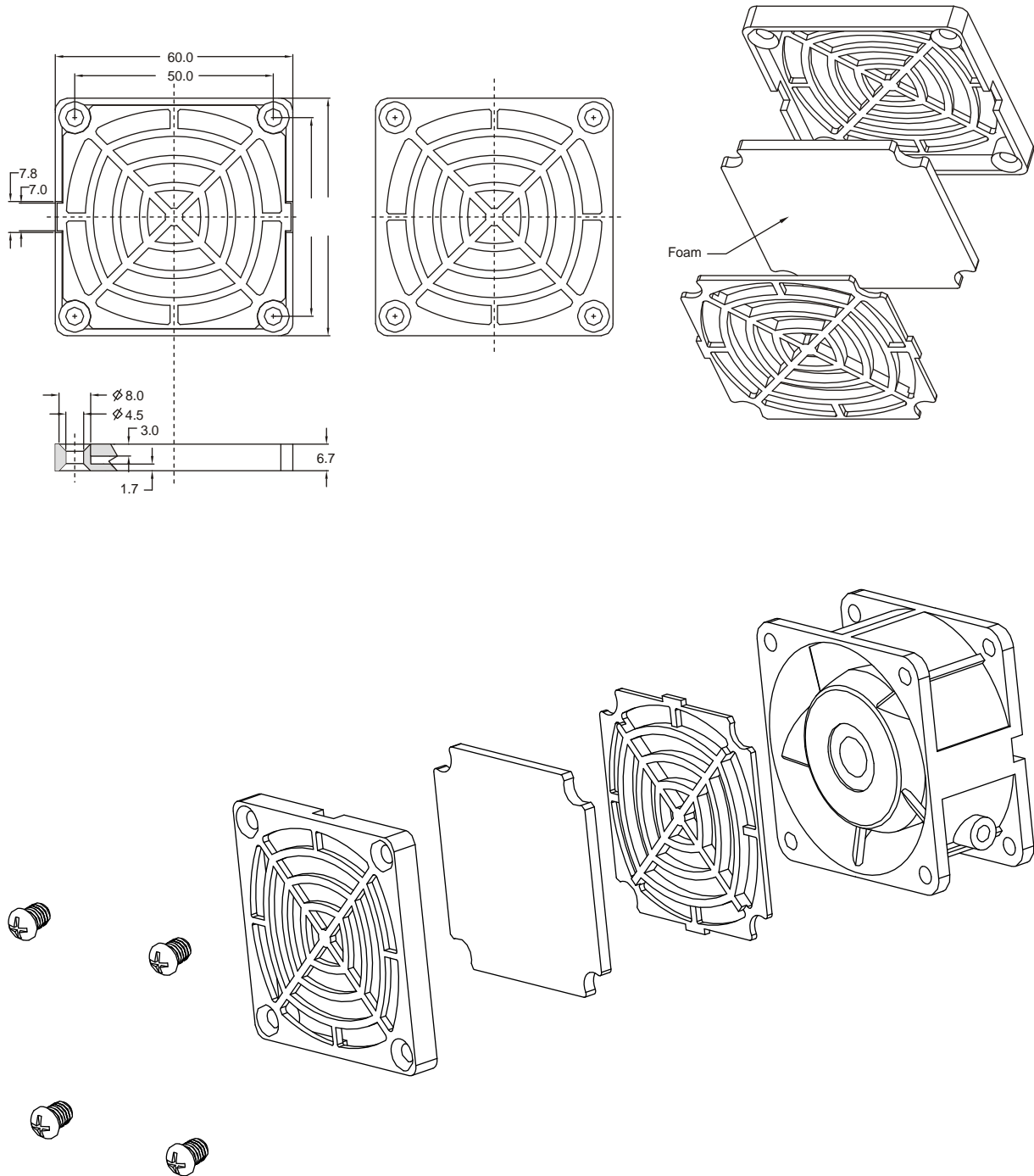
Unit:mm

Model	Bearing System	Voltage VAC	Freq. Hz	Current A	Power W	Speed RPM	Noise dBA	Air Flow		Static Pressure (mmH ₂ O)	Weight Gram
								M ³ /hr	CFM		
RAM2589B1-C	Ball	220~240	50/60	0.29/0.35	65/78	2200/2100	60/59	1160/1084	685/640	12.2/9.8	1900
RAM2589B2-C		100~125	50/60	0.58/0.70	65/78	2200/2100	60/59	1160/1084	685/640	12.2/9.8	
RAL2589B1-C		220~240	50/60	0.16/0.17	32/35	1400/1650	52/55	718/855	423/503	8.9/11.9	
RAL2589B2-C		100~125	50/60	0.28/0.30	32/35	1400/1650	52/55	718/855	423/503	8.9/11.9	

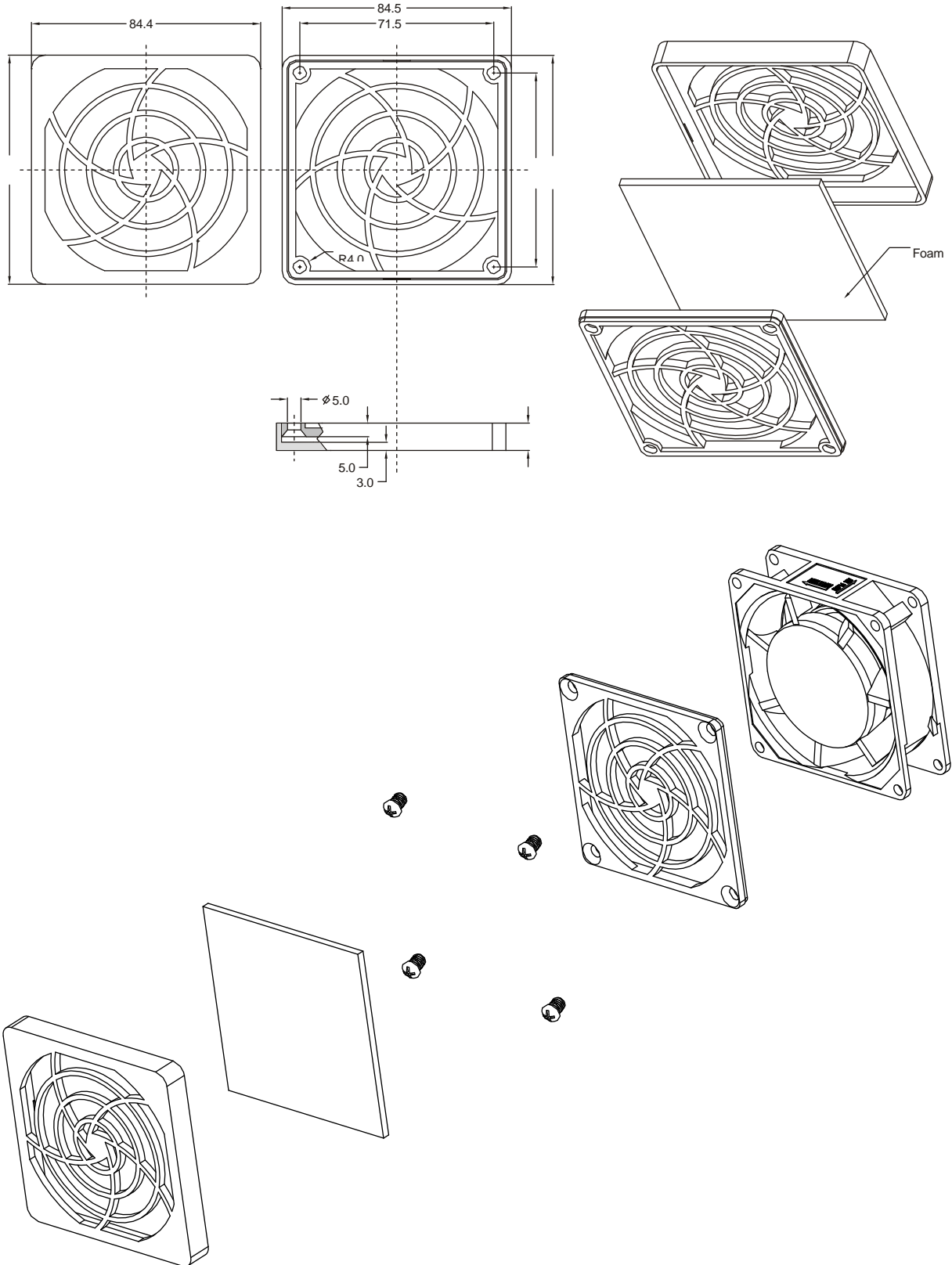


Key
 — 60Hz
 — 50Hz

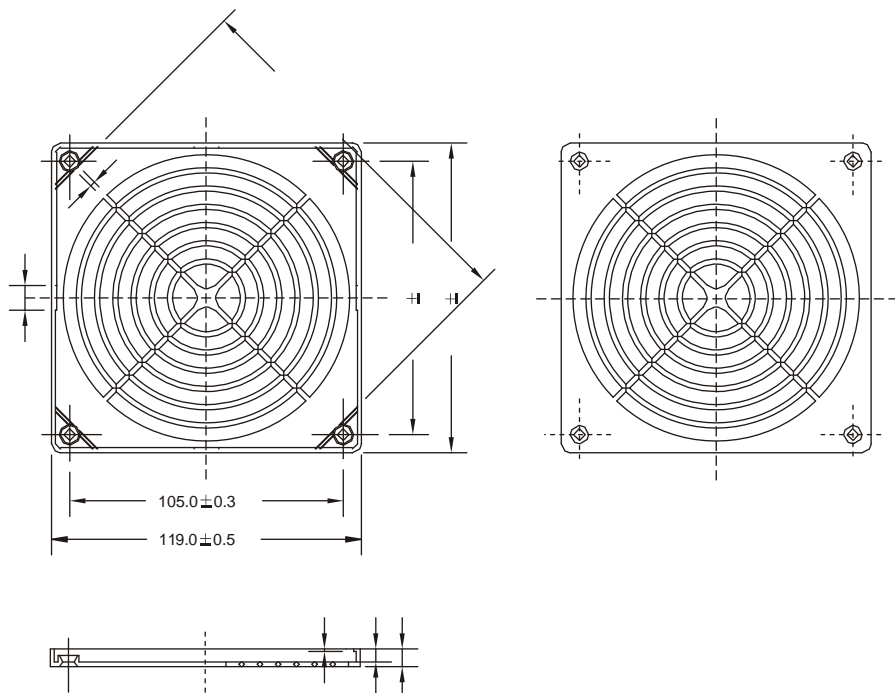
PFP6060



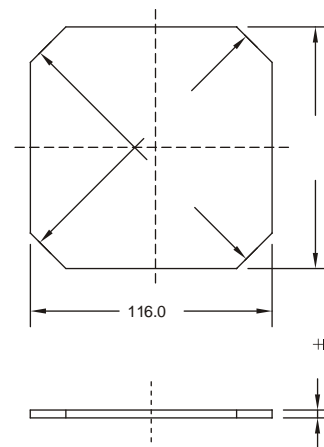
PFP8080



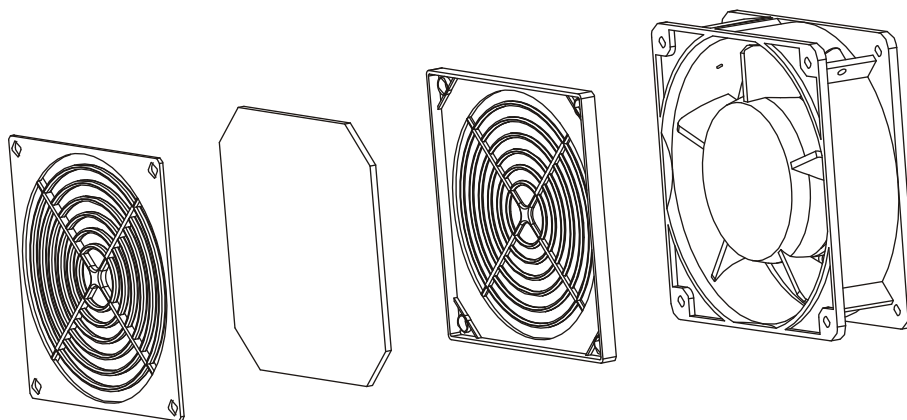
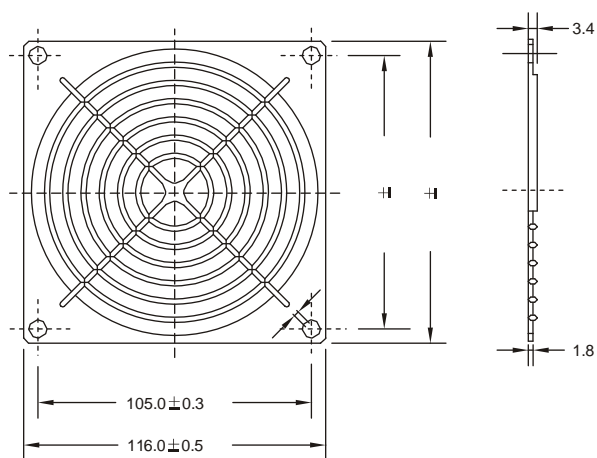
PFP1212-1



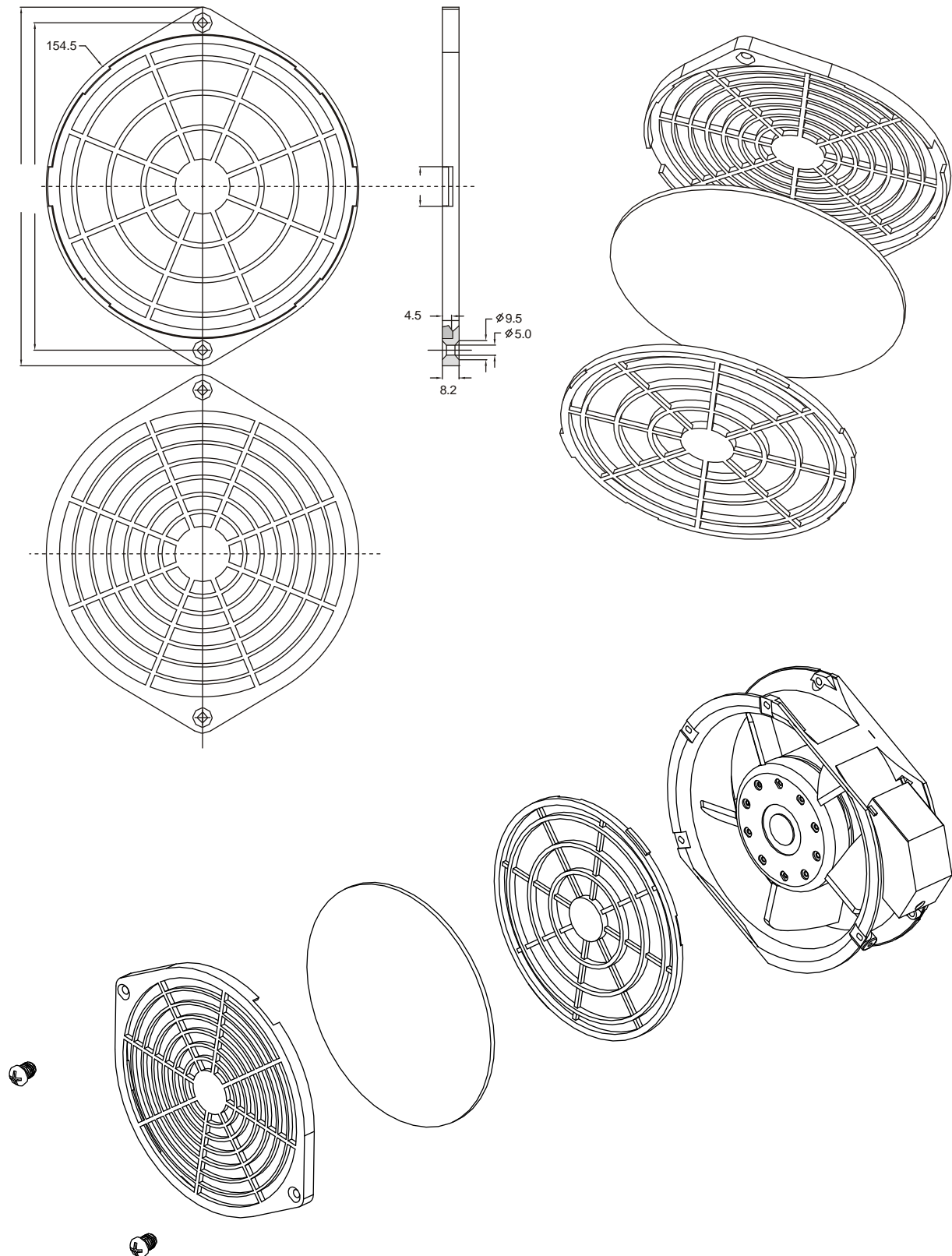
PFP1212-2(Filter)



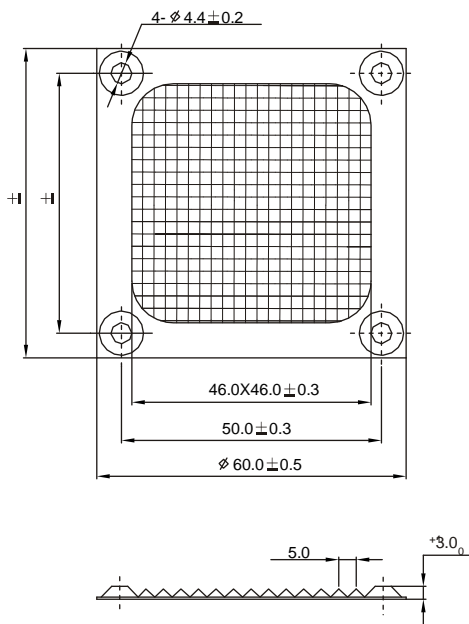
PFP1212-3



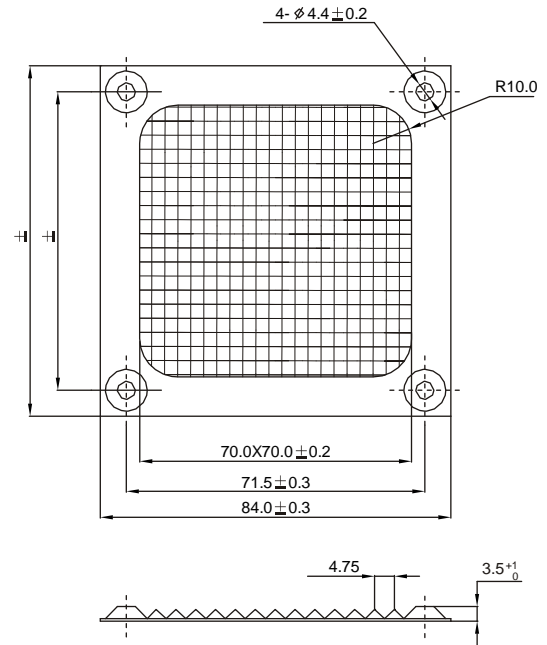
PFP1715



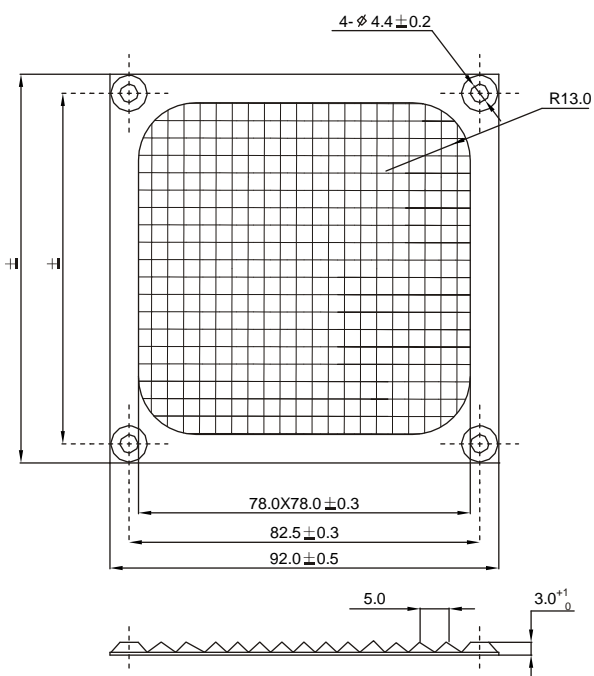
MFP6060



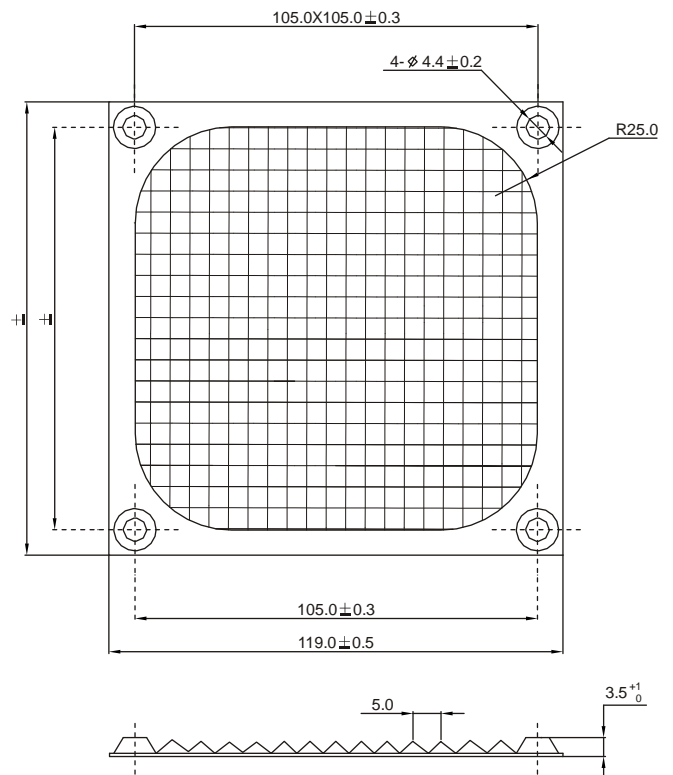
MFP8080



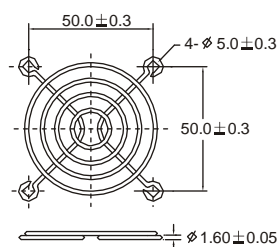
MFP9292



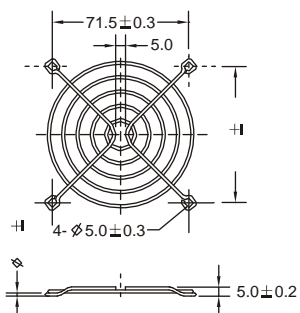
MFP1212



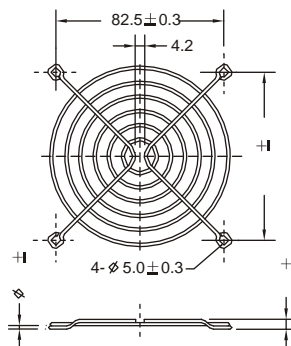
MFG6060



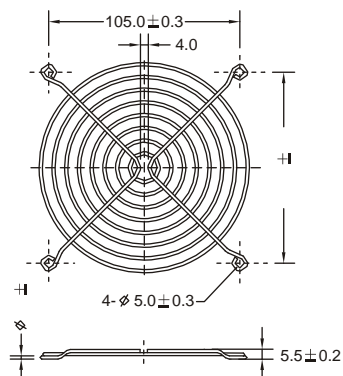
MFG8080



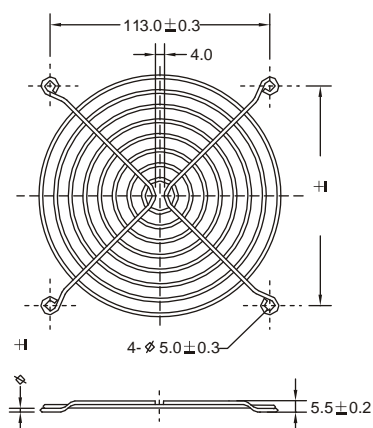
MFG9292



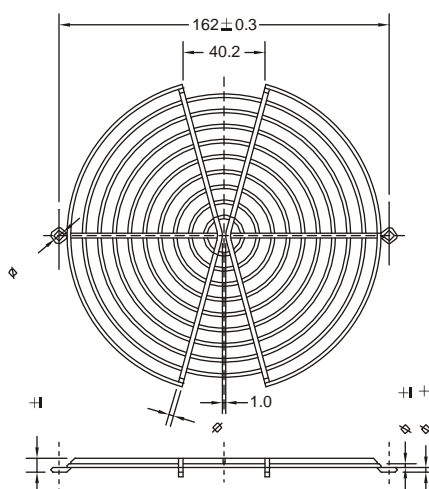
MFG1212



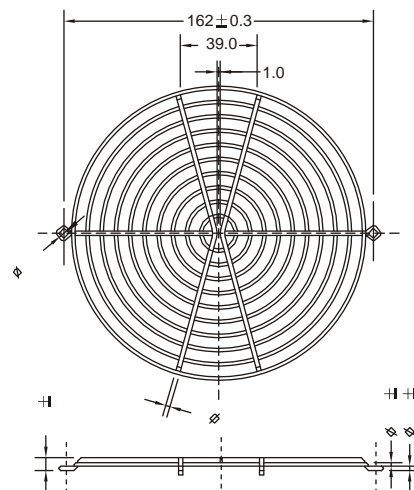
MFG1270



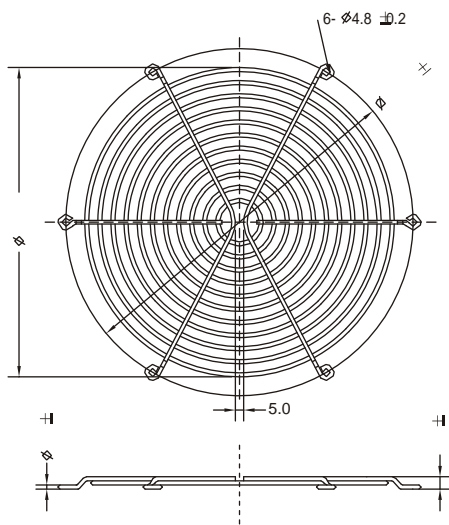
MFG1715



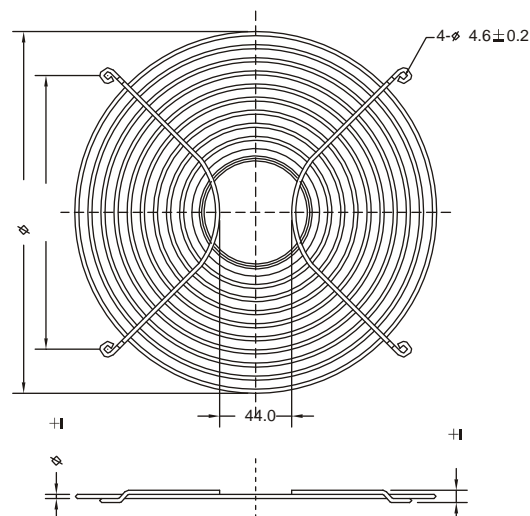
MFG1500



MFG2200

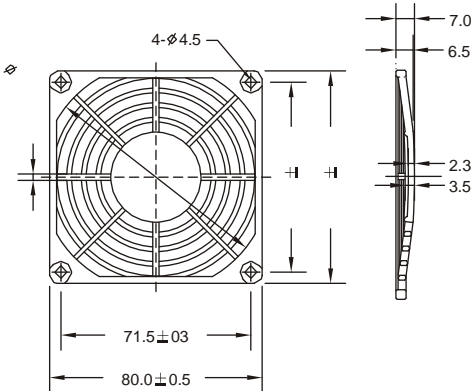


MFG2589

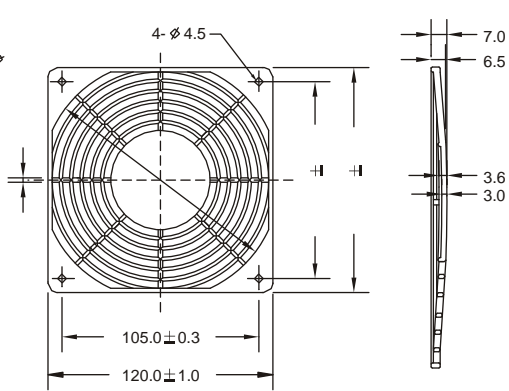


Plastic Finger Guard

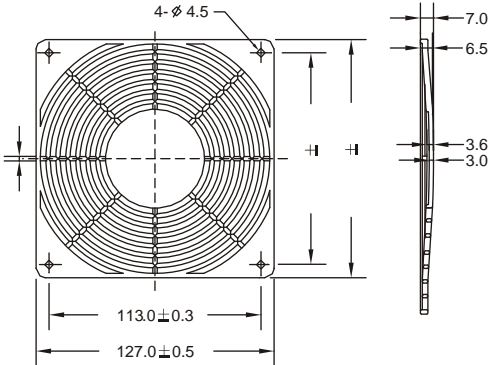
PFG8080



PFG1212



PFG1270



PFG1715

