

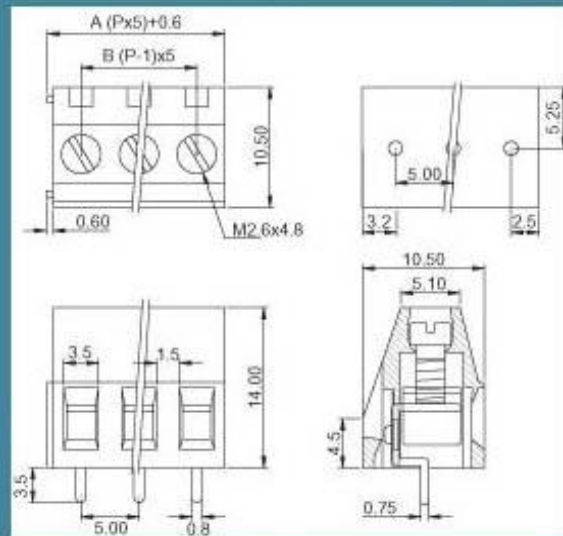
HD-50 Series Pitch: 5.0mm

Order Guide:

HD - 50 □ - □ P

↑ Pole Size: Supply 2P,3P
can dovetail together to.
↑ Part NO: 501.502.503
504.505.506

HD - 502/3



SPECIFICATIONS

Pole	2.3P
Body Material	Polyamide 66 (UL94V-0), Green
Terminal	Nickel Plated Brass
Wire Protector	Nickel Plated Brass
Screw	Nickel Plated Steel, M2.6x4.8
Current Rating	10A, 250V
Wire Range	16-22 AWG
Insulation Withstands Volt	AC 2000V / MIN
Insulation Resistanc	>1000MΩ DC500V
Screws Torque	3.5 In-Lb
Contact	-----
Approval	
Operation Temperature	-55°C to +95°C